

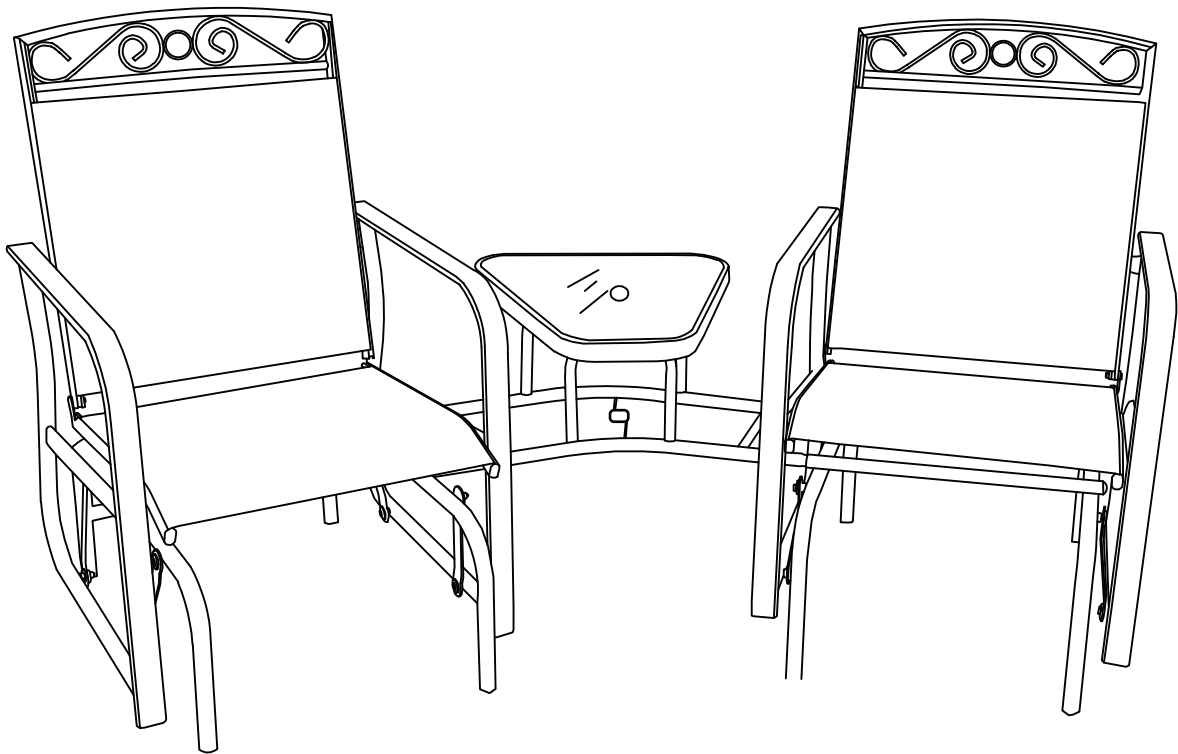
LS LIVINGSCAPE™

USER INSTRUCTIONS

2-Seat Outdoor Tete-a-tete Glider

LS6-002, LS6-007

IMPORTANT. RETAIN FOR FUTURE REFERENCE. READ CAREFULLY.



2-Seat Outdoor Tete-a-tete Glider

Warning

- Maximum Weight Capacity of Chair: 350.5 LBS.
- Maximum Weight Capacity of Table: 110.2 LBS.
- This item is for domestic use only.
- Make sure that all the necessary pieces are in the carton before starting the assembly.
- Keep away from fire and flammable objects.
- Make sure to use this item firmly fixed in place and on a flat, solid, even surface.
- Do not put your arms and legs between the frame. Risk of injury!
- Excessive movement of the glider could result in risk of tipping over and causing injury.
- This item is not a climbing frame or toy. Do not climb or jump on this item.
- Children should always be under direct adult supervision when using this product.

Clean & Care

- Keep away from heat and fire.
- Don't let hard metal products or other sharp objects hit the chair and protect the surface from scratches.
- Use a special furniture cleaner to clean the seat. Avoid using alcohol, gasoline or other chemical solvents to remove stains.
- When there are water marks on the surface of the chair, remove them immediately with a dry soft cloth.

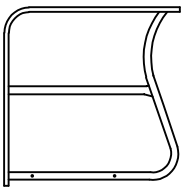

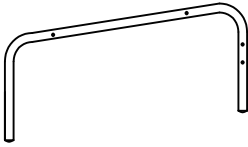

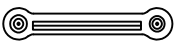
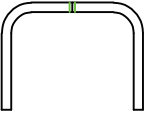
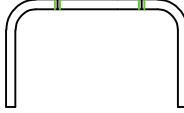

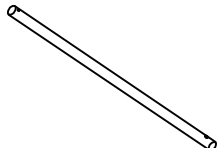
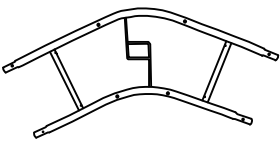
Storage conditions

The fabric should be stored completely dry, in a clean and dry place to avoid the risks of mold.







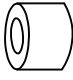

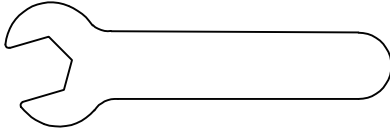


Caution with the risks of pinching or cuts during assembly.

The manufacturer declines all responsibility in case of damages due to a bad installation or maintenance.

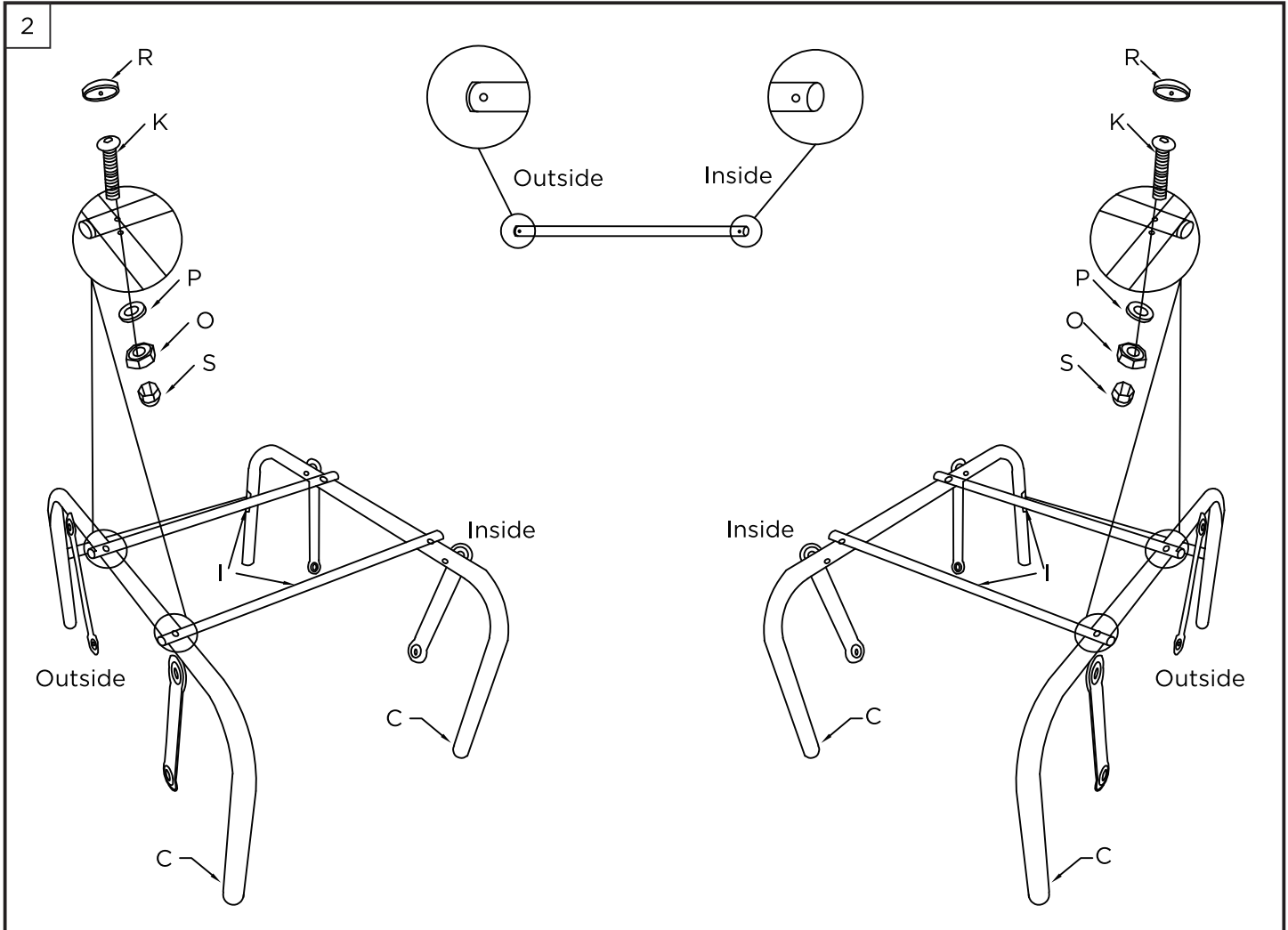
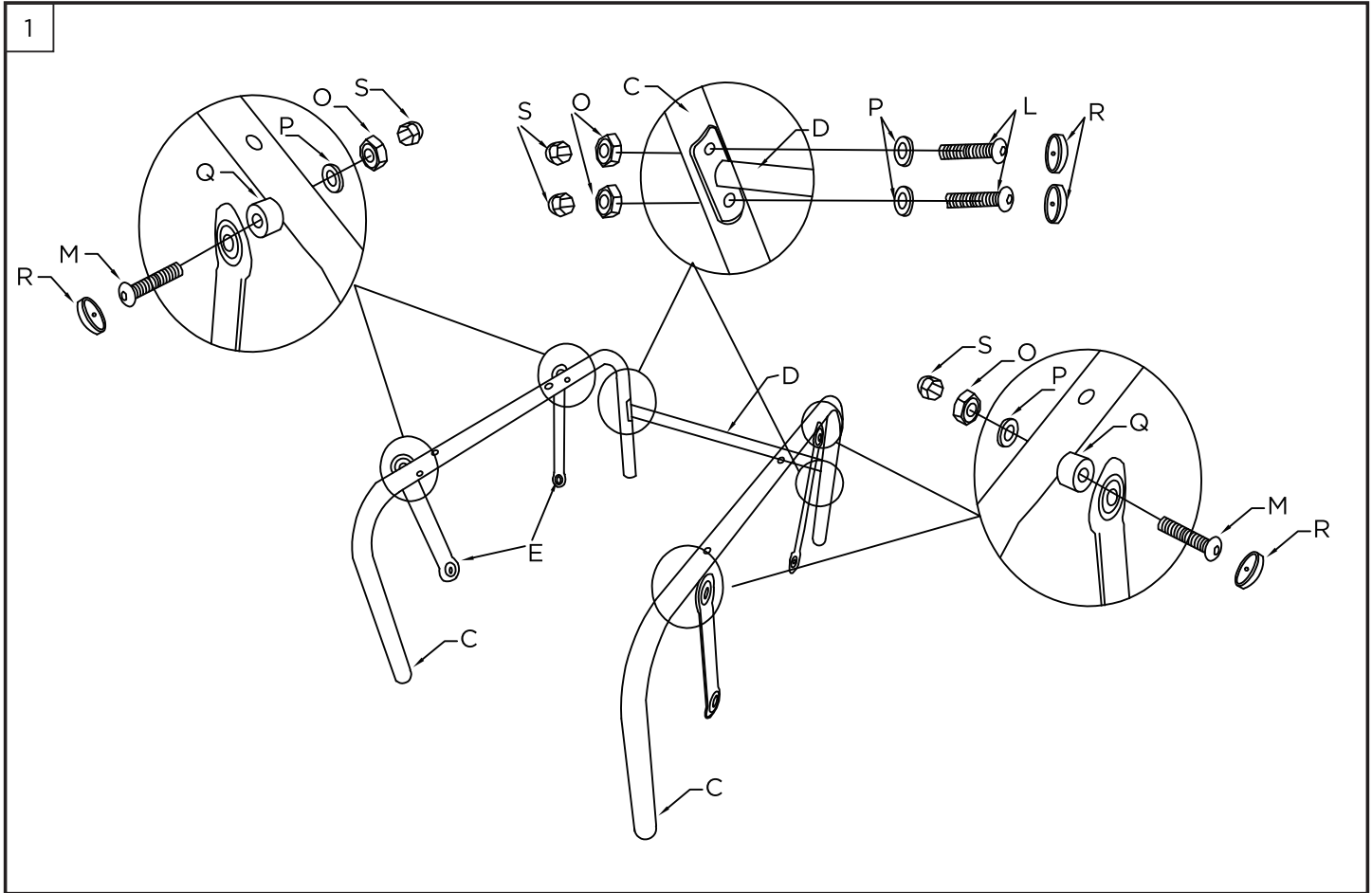
Parts List

<p>A×4</p>  <p>Armrest</p>	<p>B×2</p>  <p>Chair Seat & Back</p>	<p>C×4</p>  <p>Leg Tube</p>	<p>D×2</p>  <p>Back Cross Bar</p>
<p>E×8</p>  <p>Rocker</p>	<p>F×1</p>  <p>Front Support Bar (for Glass Table Top)</p>	<p>G×1</p>  <p>Back Support Bar (for Glass Table Top)</p>	<p>H×1</p>  <p>Glass Table Top</p>
<p>I×4</p>  <p>Chair Cross Bar</p>	<p>J×1</p>  <p>Table Cross Bar</p>		

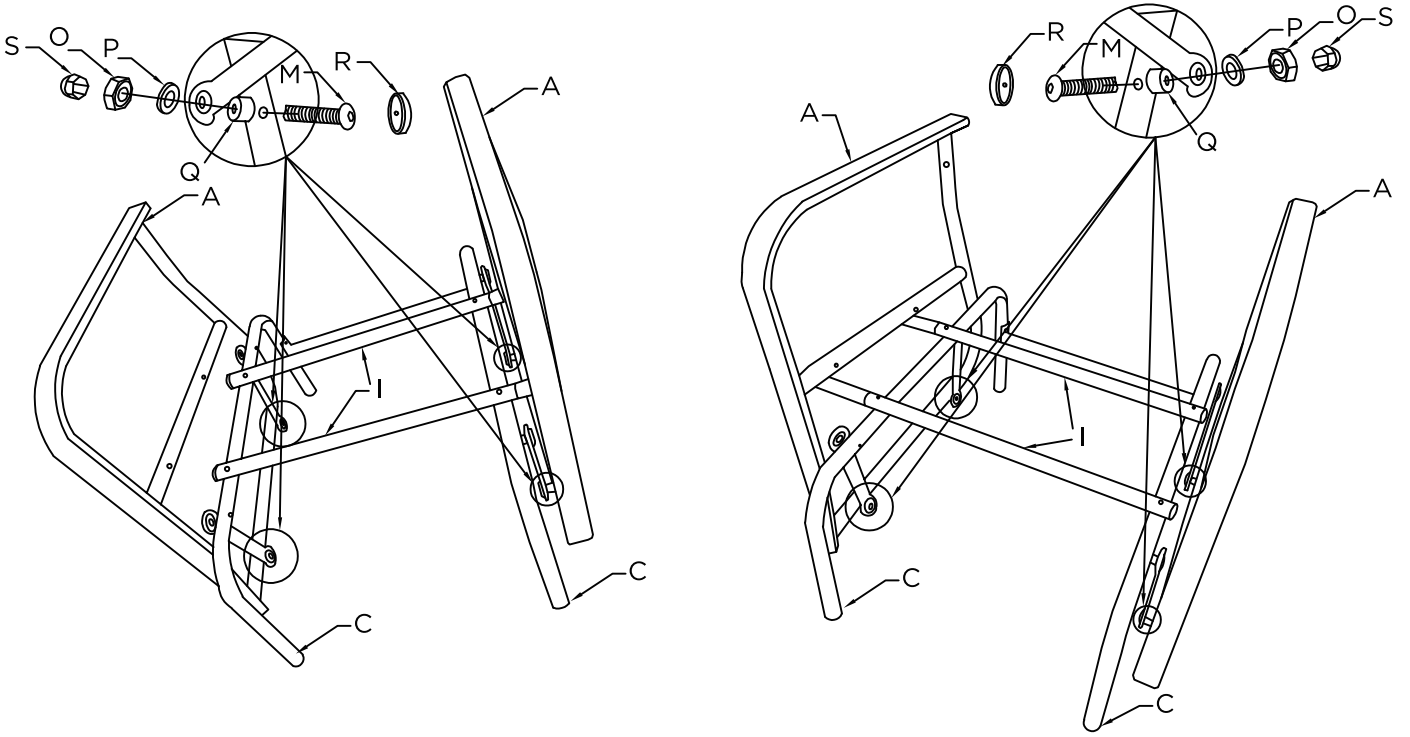
Hardware

<p>K×16</p>  <p>M6×55mm Bolt</p>	<p>L×12</p>  <p>M6×35mm Bolt</p>	<p>O×44</p>  <p>M6 Nut</p>	<p>P×51</p>  <p>Steel Washer</p>
<p>N×7</p>  <p>M6×30mm Bolt</p>	<p>M×16</p>  <p>M6×47mm Bolt</p>	<p>Q×16</p>  <p>Plastic Washer</p>	
<p>T×1</p>  <p>Hex Wrench</p>	<p>U×1</p>  <p>Open-end Wrench</p>	<p>R×67</p>  <p>Bolt cap</p>	<p>S×60</p>  <p>Nut cap</p>

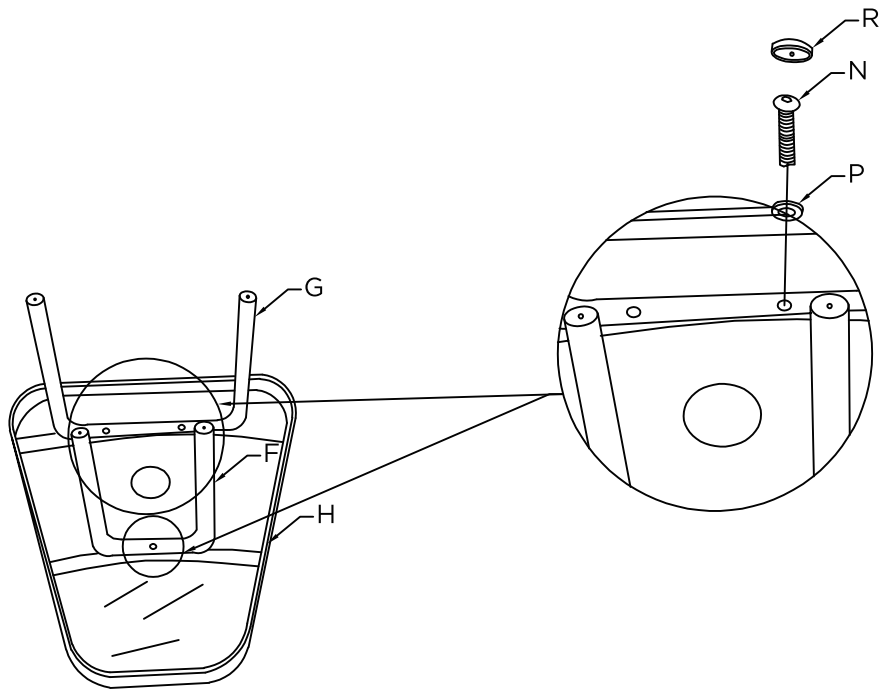
Assembly Instructions



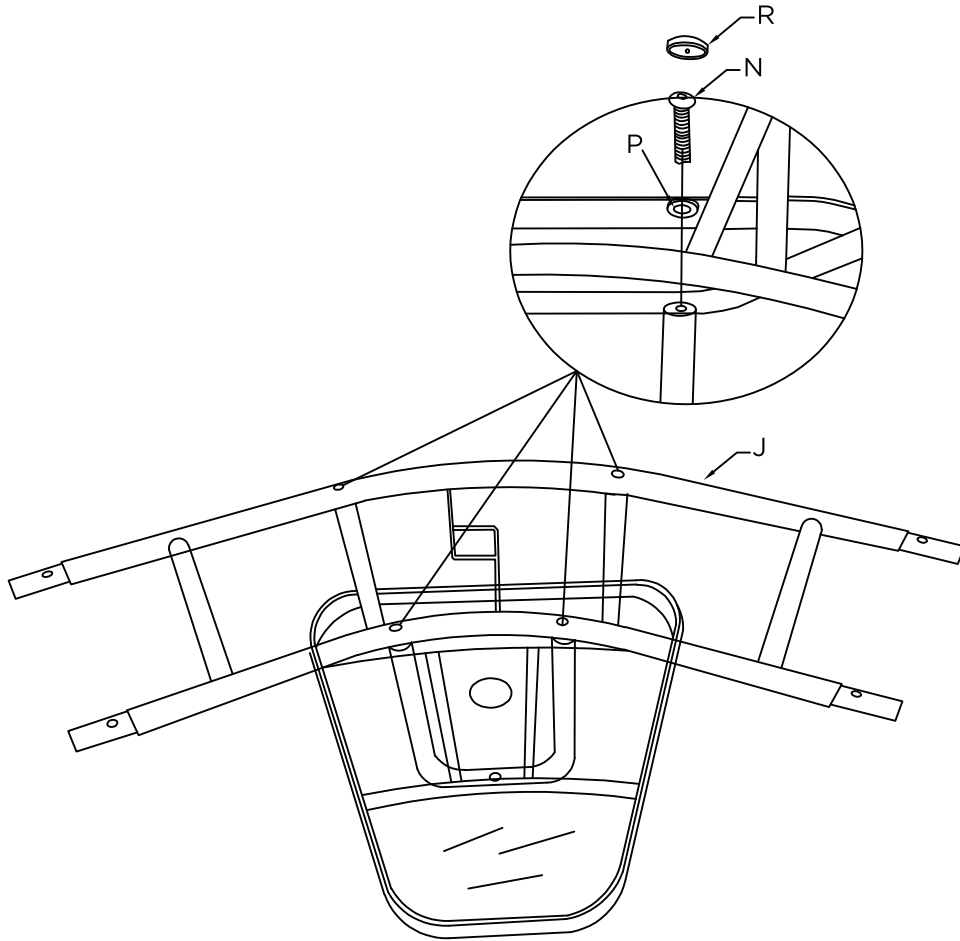
3



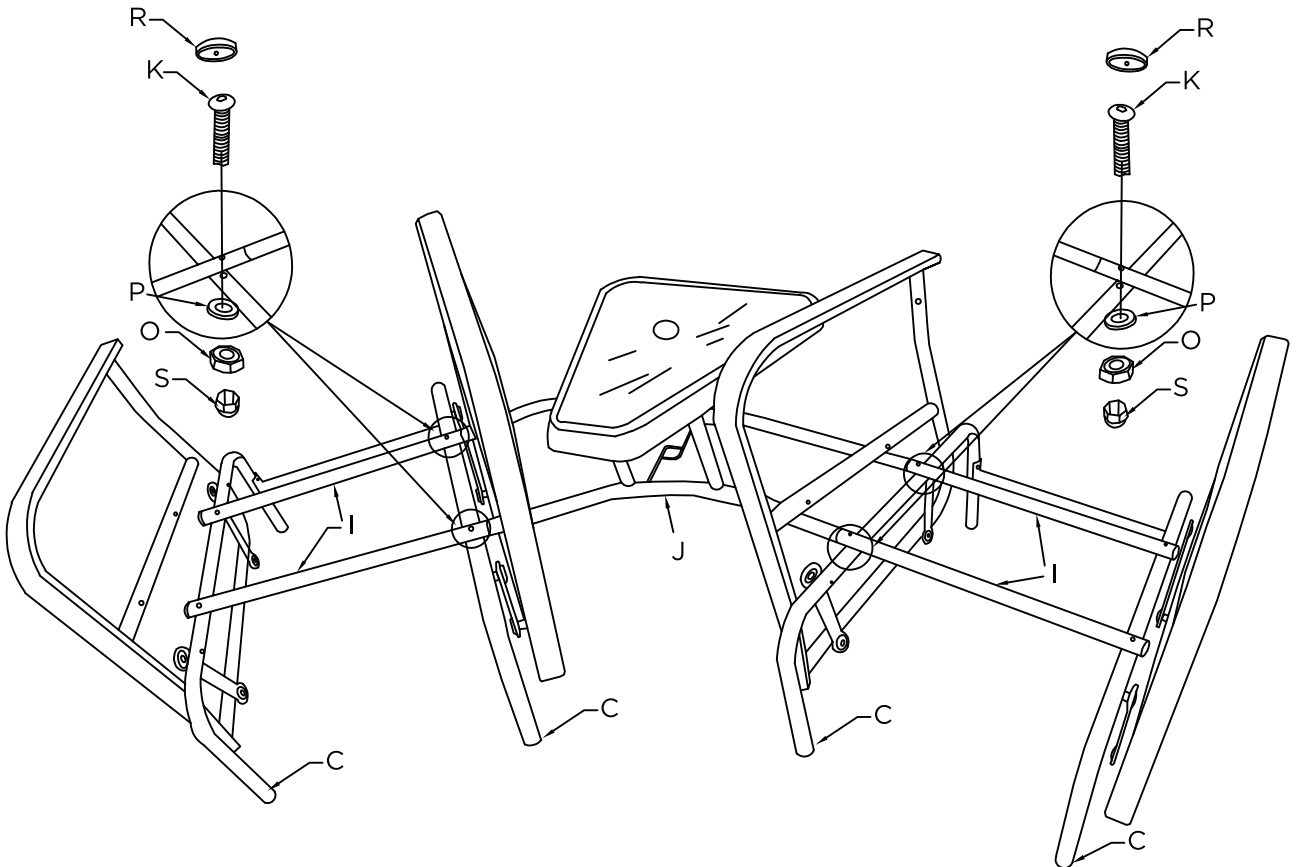
4



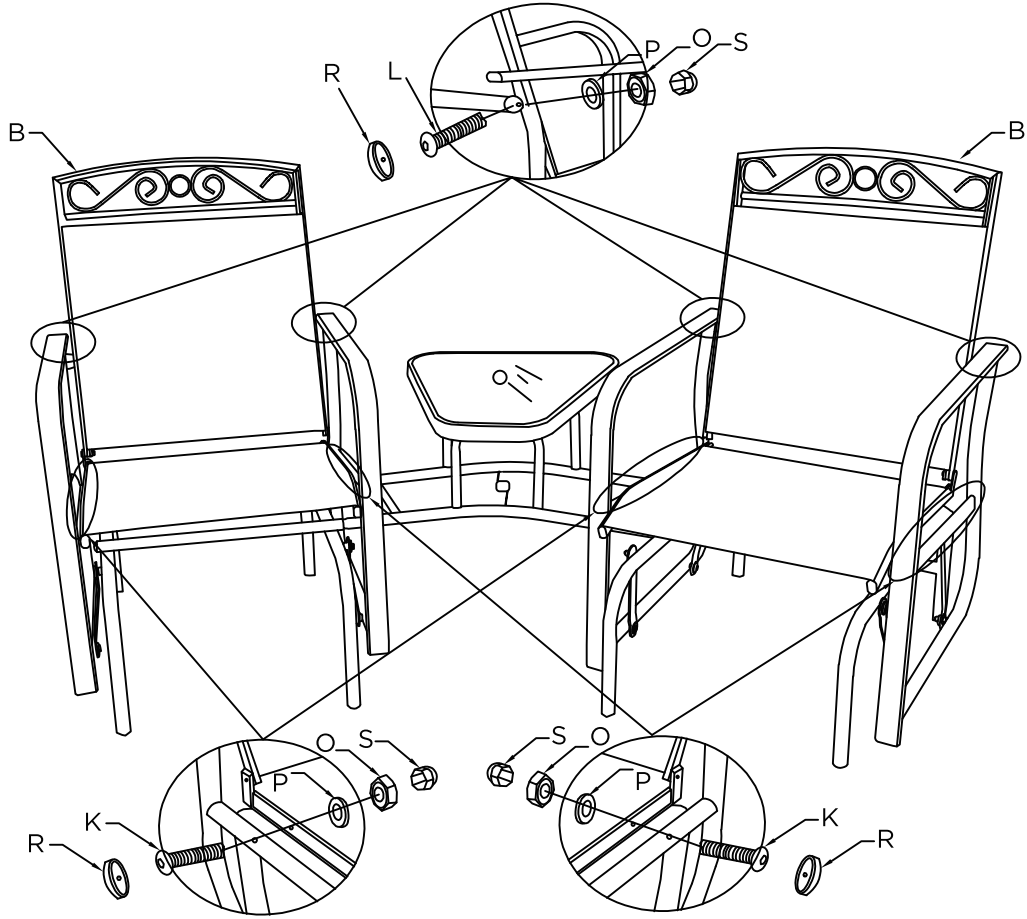
5



6



7



8

