

# LS LIVINGSCAPE™

## USER INSTRUCTIONS

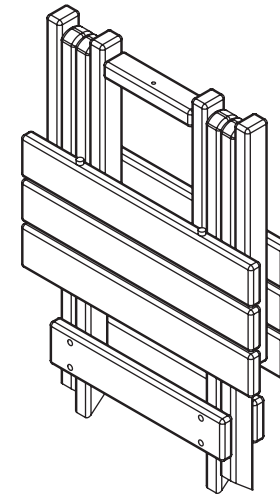
### Plastic Square Adirondack Table

IMPORTANT. RETAIN FOR FUTURE REFERENCE. READ CAREFULLY.

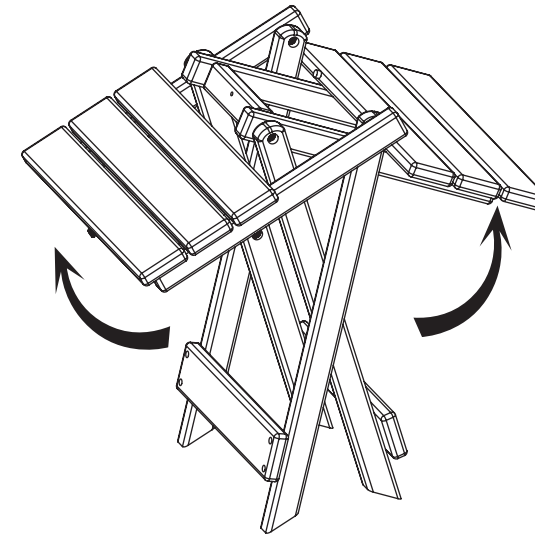


### Product Assembly

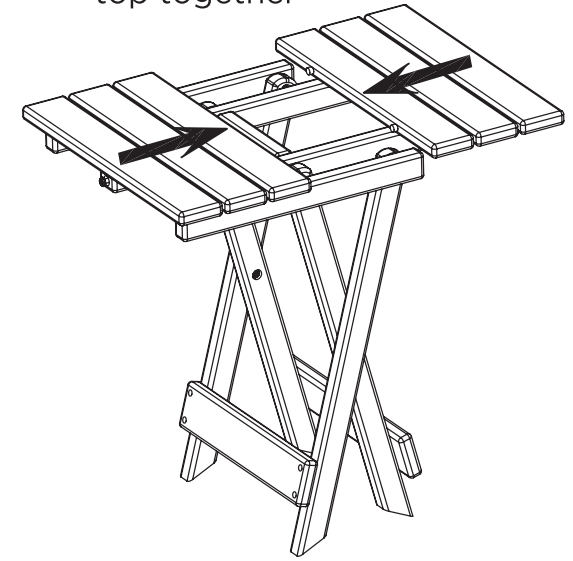
1. Folding state



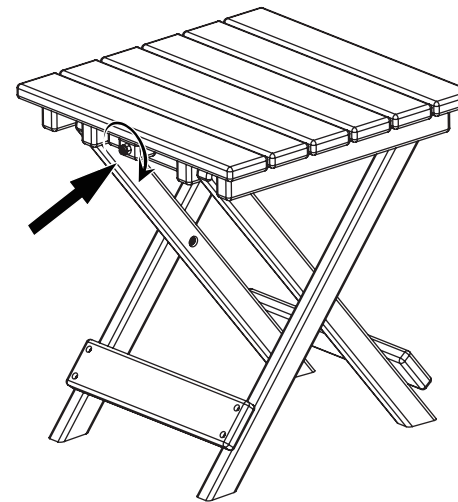
2. Use both hands to lift up 2 sides of table top



3. Merge 2 sides of table top together



4. Ensure the pin is securely locked

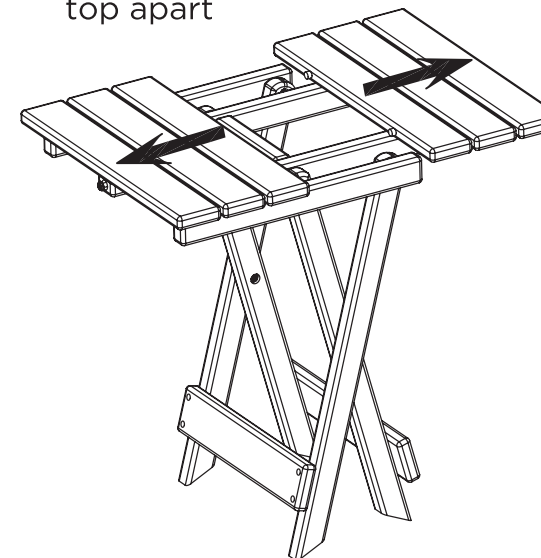


5. Table is ready to use

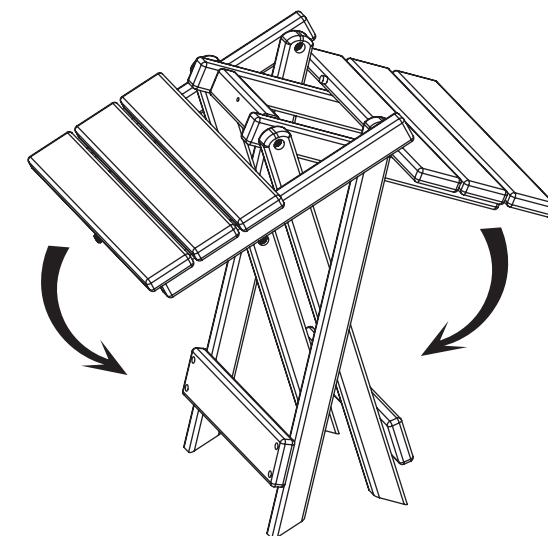


### TO CLOSE DOWN

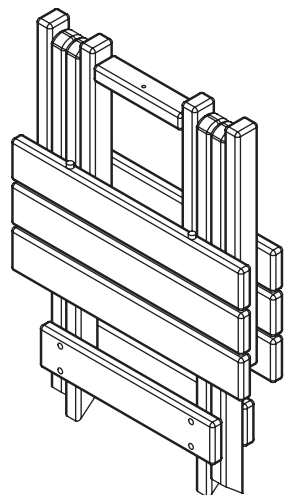
1. Use both hands to split table top apart



2. Fold them down



3. Folding state



#### Note:

1. This item is not a climbing frame or toy.
2. Danger of suffocation. Keep out of reach of children.