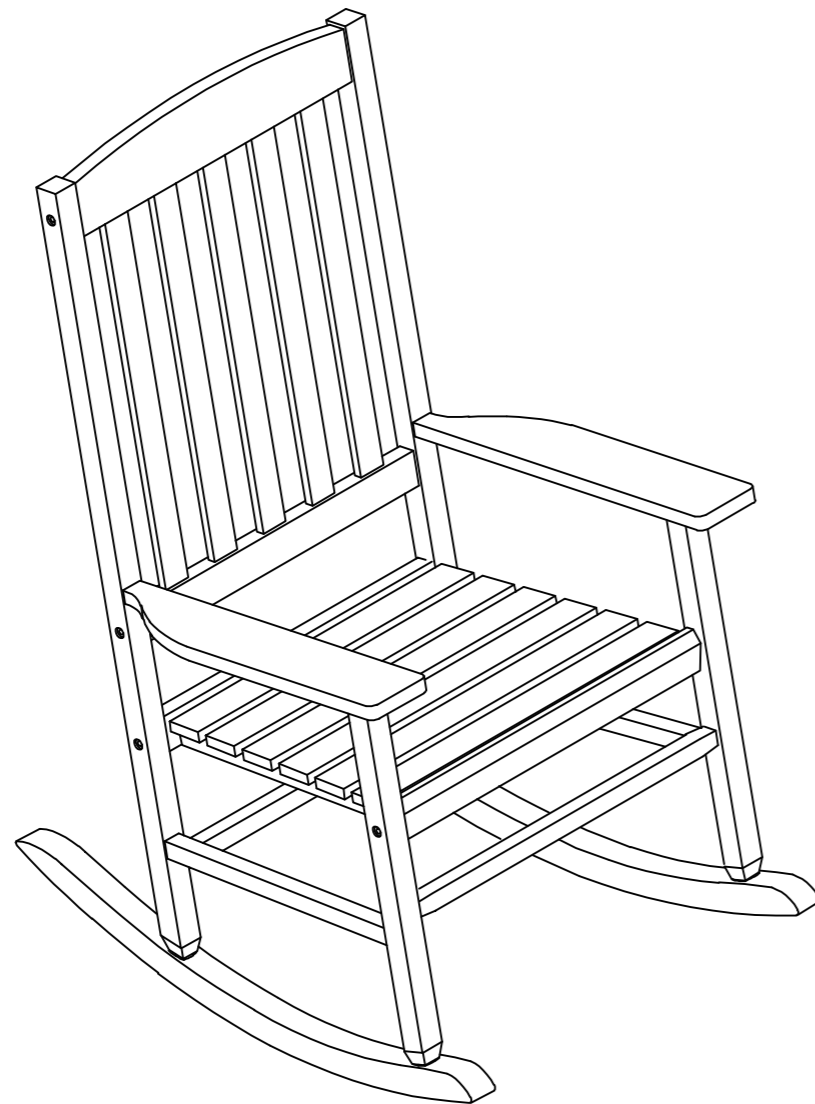


LS LIVINGSCAPE™

USER INSTRUCTIONS

Wood Rocking Chair

IMPORTANT. RETAIN FOR FUTURE REFERENCE. READ CAREFULLY.

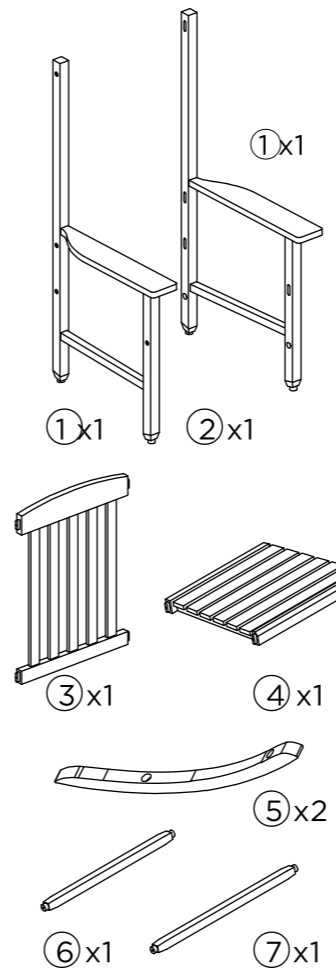


⚠ Notice

Note:

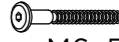
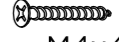
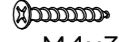

1. Do not use electric screwdriver.
2. Two people are required to assemble this item. Assemble the item on a flat, solid and even surface.
3. Make sure that all the necessary parts are in the carton before starting the assembly.
4. Please secure all parts and bolts loosely, only when the frame is complete should you fully tighten the screws.
5. If any instability occurs, loosen the screws, re-align the components as necessary and re-tighten the screws evenly.
6. This item is not a climbing frame or toy.
7. Danger of suffocation. Keep out of reach of children.

Parts List



Part	Description	Quantity
1	Right Leg	1
2	Left Leg	1
3	Backrest	1
4	Seat Frame	1
5	Runner	2
6	Back Spindle	1
7	Front Spindle	1

Hardware List

- (A)  x8
M6x50
- (B)  x4
M4x40
- (C)  x4
M4x30
- (D)  x1

Part	Description	Quantity
A	Screws M6x50	8
B	Screws M4x40	4
C	Screws M4x30	4
D	Hex Key	1

NOTE: Hardware is NOT shown at actual size.

Intended Use:

Always use on firm, level ground, ensuring the rockers remain in contact with the ground.

Weight Capacity: 250 lbs

Finish: PU Finish for Treated versions. With natural untreated version, it's recommended to paint the chair by wood wax oil or PU paints from your choice before bringing to outdoor use.

Preparation:

Before beginning assembly of product, make sure all parts are present. Compare parts with package contents list and hardware contents list. If any part is missing or damaged, do not attempt to assemble or use the product.

Tools Required for Assembly:

Hex Wrench (included)

Screwdriver PH2 (not included)



Product Assembly

1. Align the holes of the right leg (1) and left leg (2) with the runners (5) and insert the screws (B). Tighten using screwdriver (not included). See Fig. 1.

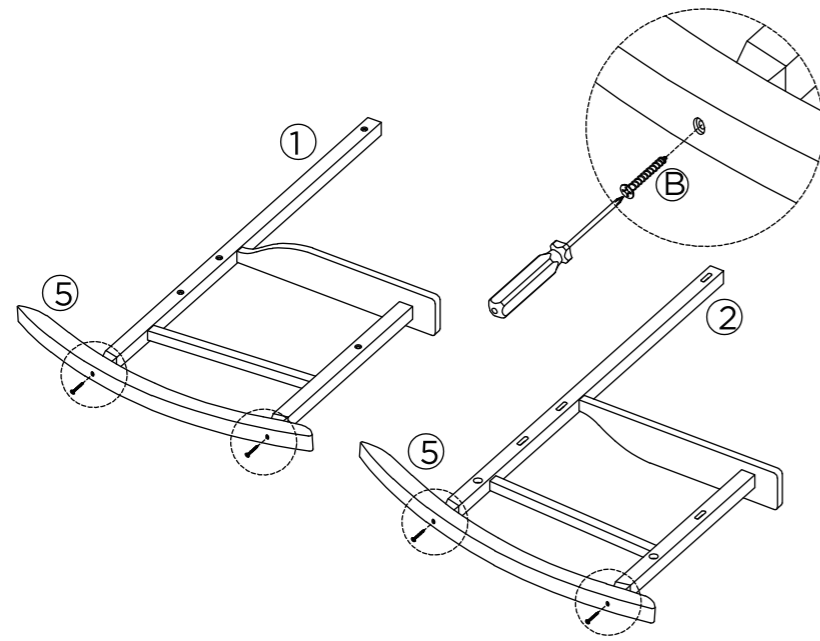


Fig. 1

4. Secure the spindle (6), (7) with the leg (1), (2) by screws (C). Tighten using screwdriver (not included). See Fig. 3

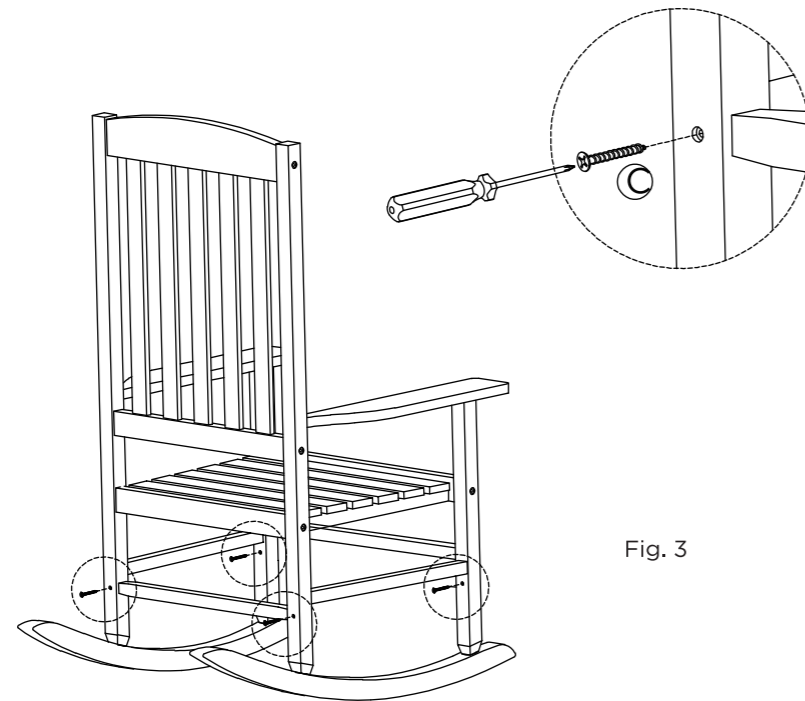


Fig. 3

3

2. Align the holes of the Right leg (1) with the backrest (3) and insert the screws (A). Tighten using the hex key (D).
Insert the seat (4) into the Right leg (1). Align the holes and attach with screws (A). Tighten using the hex key (D). See Fig. 2.
Insert the front spindle (7) into the Right leg (1).
Insert the back spindle (6) into the Right leg (1).
3. Repeat step 2 for the Left leg (2). See Fig. 2.

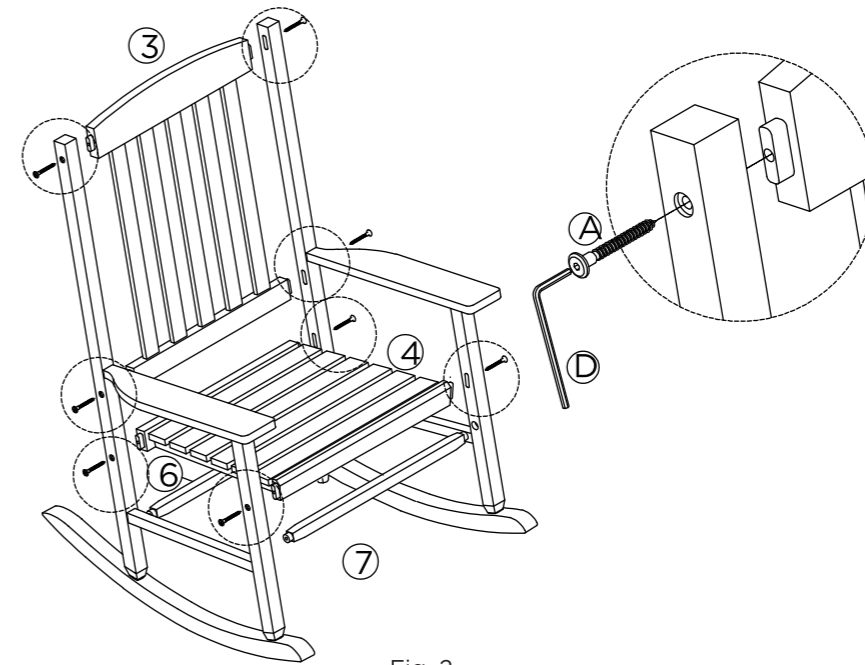


Fig. 2

5. Congratulations! You have finished your assembly.

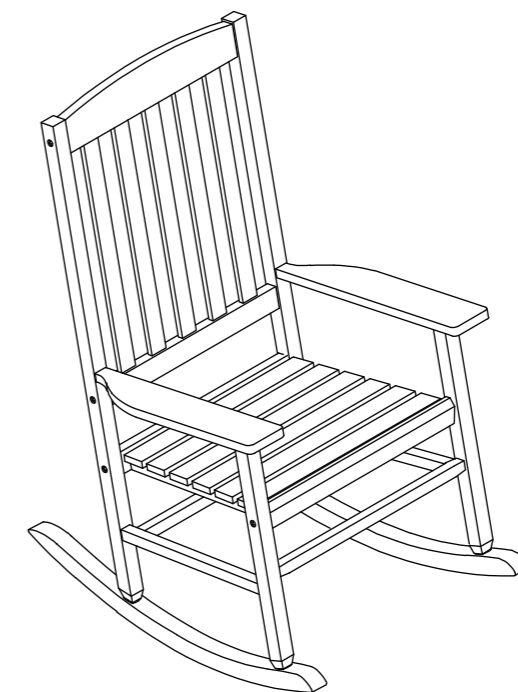


Fig. 4

4