

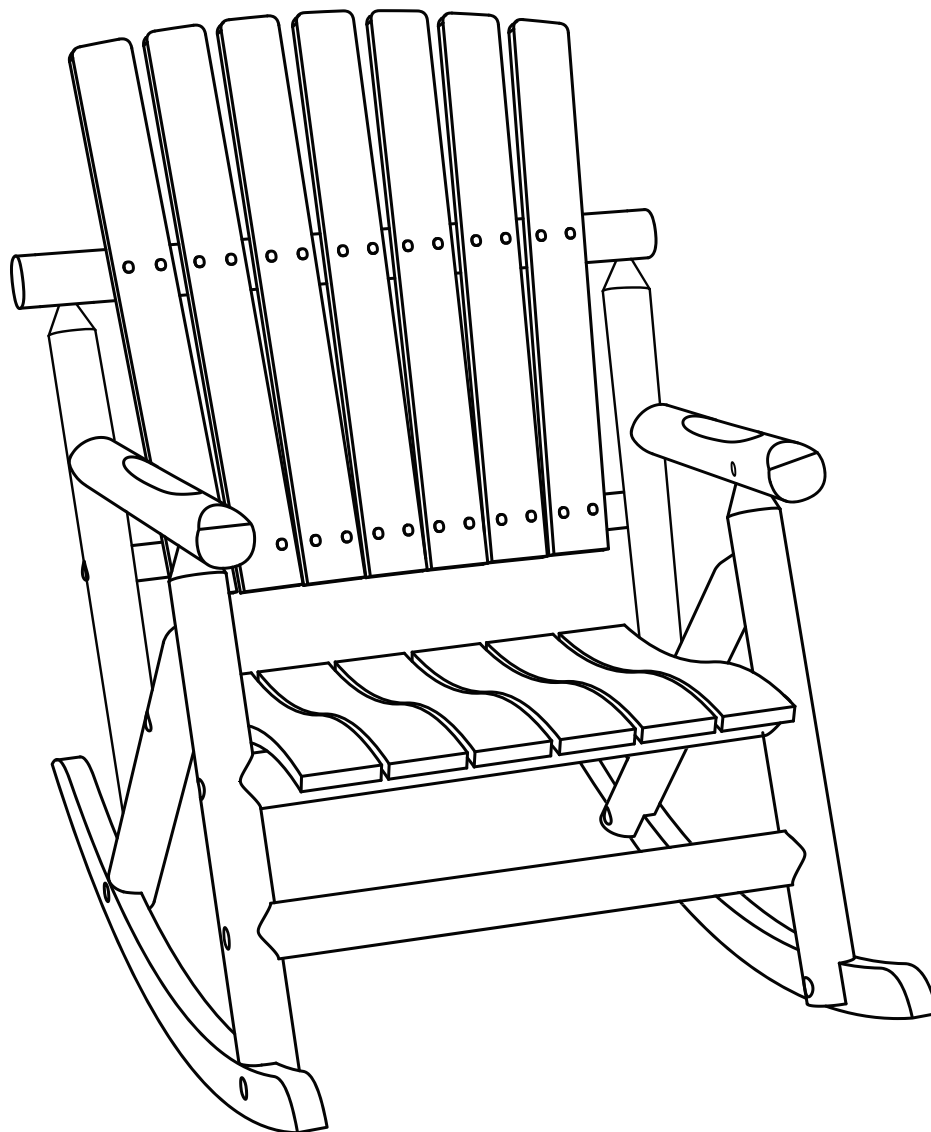
# **LS** LIVINGSCAPE™

## USER INSTRUCTIONS

### Log Rocking Chair

---

IMPORTANT. RETAIN FOR FUTURE REFERENCE. READ CAREFULLY.



## Technical Specifications

### INTENDED USE

This log rocker chair is constructed with sturdy hardwood, contoured seating and nicely finished texture. It is designed for maximum comfort and is ideal for use on flat, level ground or anywhere in your home.

ITEM	DESCRIPTION
Capacity	300 lbs weight capacity
Parts	All the wooden parts are pre-drill
Hardware	All hardware is included
Finished color	Natural (No coating). It's recommended to paint the chair by wood wax oil or PU paints from your choice before bringing to outdoor use.

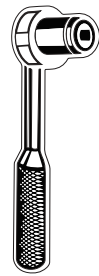
### TOOLS REQUIRED



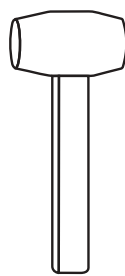
**NOTE:** Tools and protective equipment below are not provided.



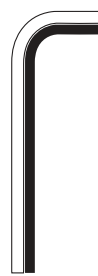
**SCREWDRIVER  
PHILLIPS ⊕ 2**



**SOCKET & WRENCH  
14MM**



**MALLET**



**HEX KEY  
(INCLUDED)**



**WORK GLOVES**



**SAFETY GLASSES**

### WORK AREA

- Keep work area clean, free of clutter and well lit. Cluttered and dark work areas can cause accidents.
- Keep children and bystanders away while operating a Natural Log Rocker. Distractions can cause you to lose control, so visitors should remain at a safe distance from the work area.
- Be aware of all power lines, electrical circuits, water pipes, and other mechanical hazards in your work area, particularly those hazards below the work surface hidden from the operators view that may be unintentionally contacted and may cause personal harm or property damage.
- Be alert of your surroundings. Using a Natural Log Rocker in a confined work area may put you dangerously close to cutting tools and rotating parts.



### **WARNING**

The warnings, cautions, and instructions discussed in this owners manual cannot cover all possible conditions and situations that may occur. It must be understood by the operator that common sense and caution are factors which cannot be built into this product, but must be supplied by the operator.

## Pre-Installation

---

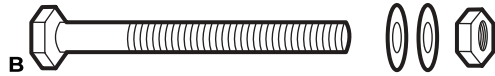
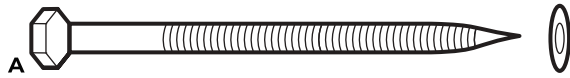
### HARDWARE INCLUDED

Carefully remove the contents from the package. If any parts are missing do not attempt to use the product until they have been obtained and correctly installed.

PART#	DESCRIPTION	QUANTITY
A	Bolt	8
B	Nut & Bolt	4
C	Screw	4



NOTE: Hardware shown NOT at actual size.

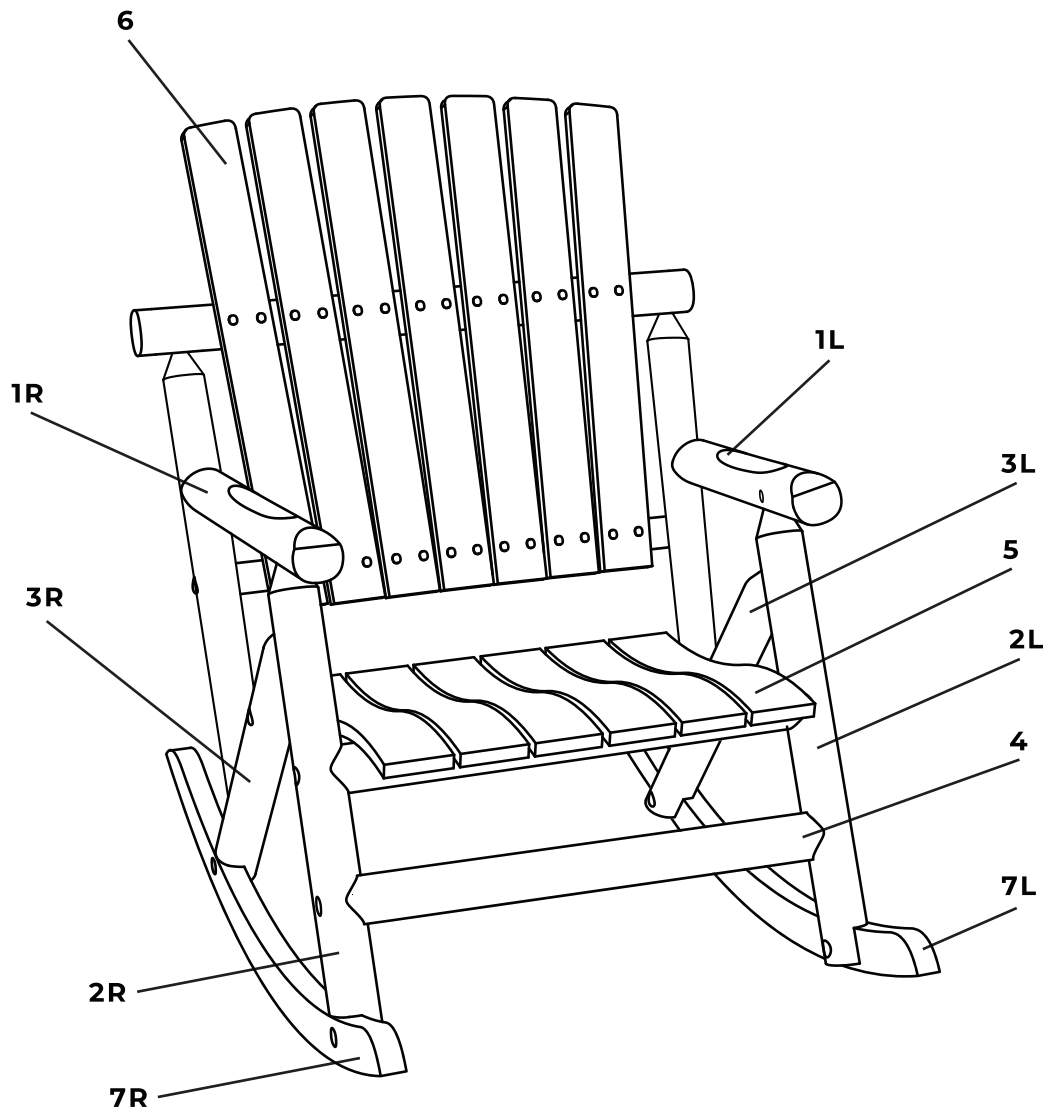


## Pre-Installation

### PARTS INCLUDED

Carefully remove the contents from the package. If any parts are missing do not attempt to use the product until they have been obtained and correctly installed.

PART#	DESCRIPTION	QUANTITY
1L, 1R	Armrest	2
2L, 2R	Front leg	2
3L, 3R	Back leg	2
4	Front support	1
5	Seat panel	1
6	Back panel	1
7L, 7R	Runner	2



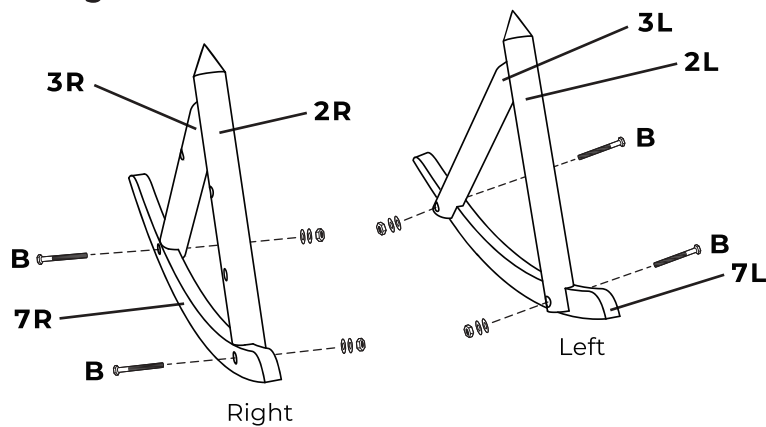
# Assembly Instructions

**1**

Insert the end of Back leg (3R) into the pre-drilled hole on Front leg (2R). Attach both legs on Rocker (7R), match pre-drilled holes and tighten with Nut & Bolt (B)

REPEAT this step on the left of framework.

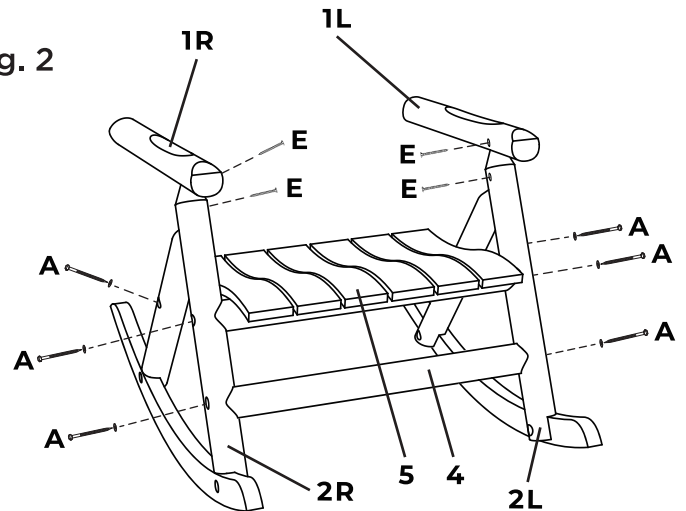
Fig. 1



**2**

Insert the right end of both Seat panel (5) and Front support (4) into the pre-drilled hole on the right leg frame, tighten with bolt (A). Attach Armrest (1R) on to Front leg (2R) using Screw (E). Repeat this step on the left framework, make sure the seat contour is in the correct direction.

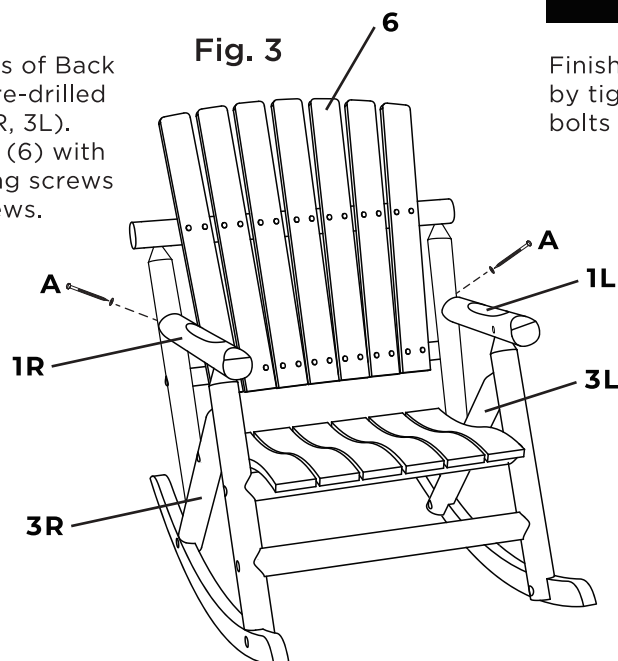
Fig. 2



**3**

Slide both side-posts of Back panel (6) into the pre-drilled hole on Back leg (3R, 3L). Connect Back panel (6) with Armrest (1R, 1L) using screws (A), tighten the screws.

Fig. 3



**4**

Finish the assembly by tightening all nuts, bolts & screws securely.

Fig. 4

