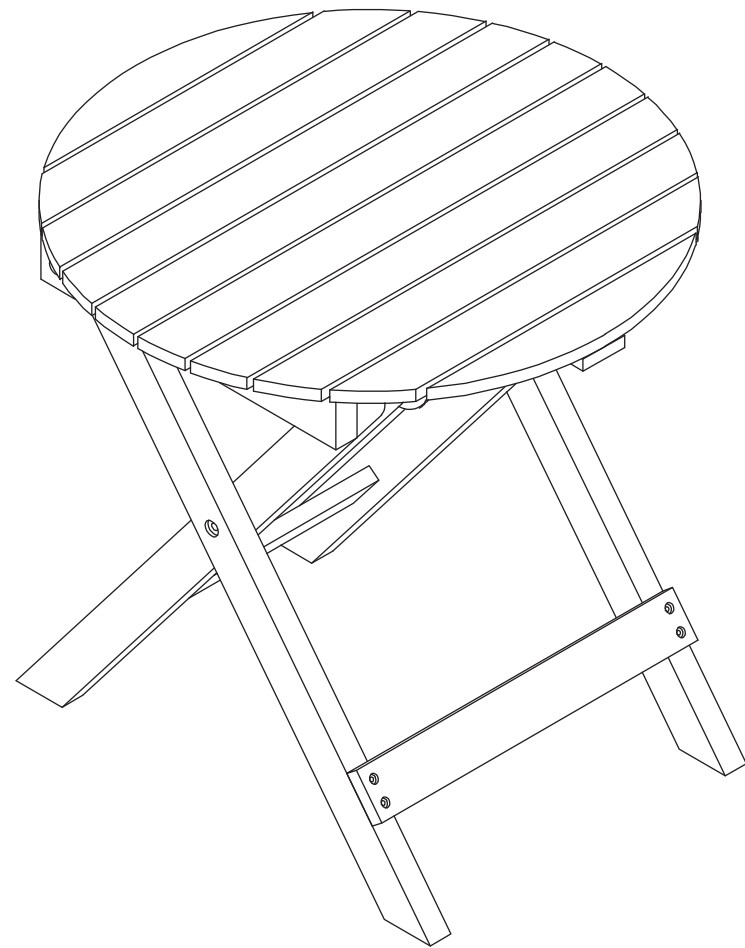


LS LIVINGSCAPE™

USER INSTRUCTIONS

Wood Circle Adirondack Table

IMPORTANT. RETAIN FOR FUTURE REFERENCE. READ CAREFULLY.



Note:

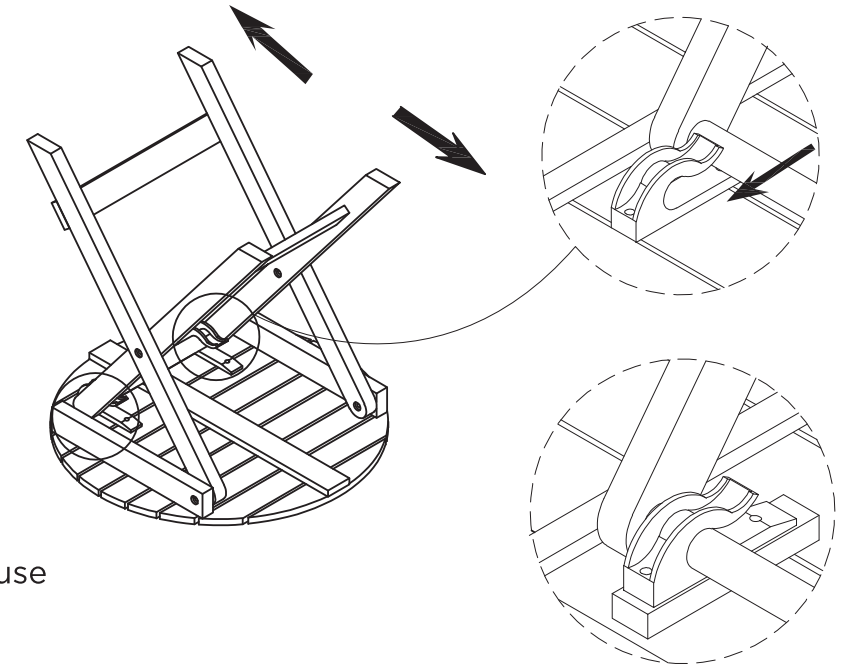
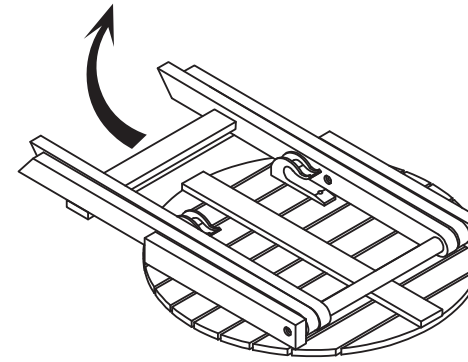
1. This item is not a climbing frame or toy.
2. Danger of suffocation. Keep out of reach of children.

To Assemble

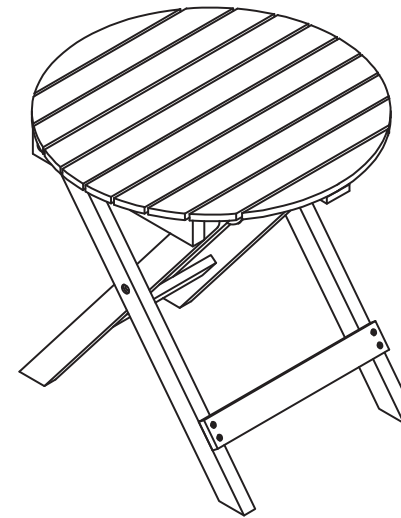
Lift up the leg

2. Extend the leg

3. Push the support rod into the plastic clamp to secure the table



4. Reverse the table and ready to use



To Close Down

Pull the support rod out of the plastic clamp

2. Fold down the leg

