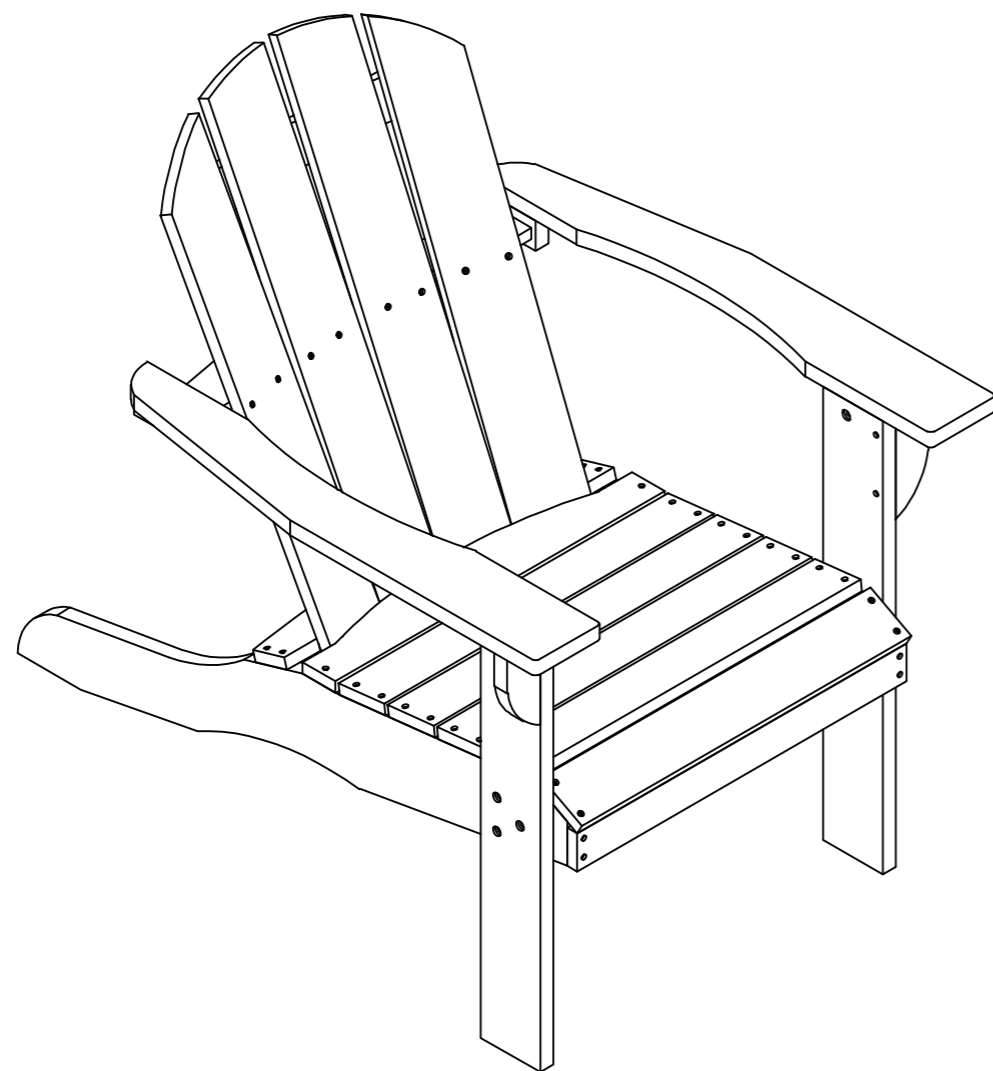


# LS LIVINGSCAPE™

## USER INSTRUCTIONS

### Wood Adirondack Chair

IMPORTANT. RETAIN FOR FUTURE REFERENCE. READ CAREFULLY.

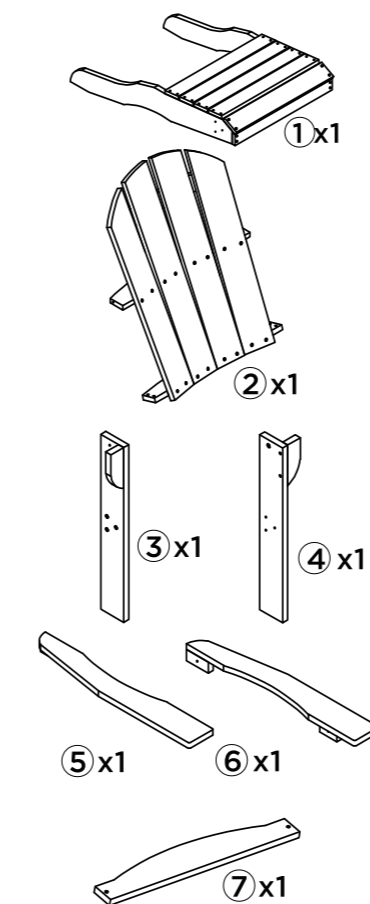


### ⚠ Notice

#### Note:


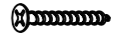
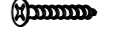

1. Do not use electric screwdriver.
2. Two people are required to assemble this item. Assemble the item on a flat, solid and even surface.
3. Make sure that all the necessary parts are in the carton before starting the assembly.
4. Please secure all parts and bolts loosely, only when the frame is complete should you fully tighten the screws.
5. If any instability occurs, loosen the screws, re-align the components as necessary and re-tighten the screws evenly.
6. This item is not a climbing frame or toy.
7. Danger of suffocation. Keep out of reach of children.

### Parts List



Part	Description	Quantity
1	Seat Frame	1
2	Backrest	1
3	Right Leg	1
4	Left Leg	1
5	Right Arm	1
6	Left Arm	1
7	Seat Back Rail	1

### Hardware List

- A  x10  
M6x40
- B  x4  
M4x40
- C  x2  
M4x30
- D  x1

Part	Description	Quantity
A	Bolts M6x40	10
B	Screws M4x40	4
C	Screws M4x30	2
D	Hex Key	1

NOTE: Hardware is NOT shown at actual size.

### Intended Use:

Always use on firm, level ground, ensuring the chair remains in contact with the ground.

Weight Capacity: 250 lbs

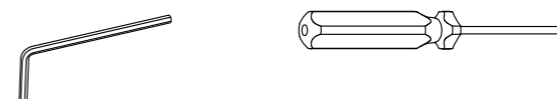
Finish: PU Finish for Treated versions. With natural untreated version, it's recommended to paint the chair by wood wax oil or PU paints from your choice before bringing to outdoor use.

### Preparation:

Before beginning assembly of product, make sure all parts are present. Compare parts with package contents list and hardware contents list. If any part is missing or damaged, do not attempt to assemble or use the product.

### Tools Required for Assembly:

Hex Wrench (included)    Screwdriver PH2 (not included)



## Product Assembly

1. Place the Seat back rail (7) to the back of the seat frame (1). Align the holes, then tighten screws (C) into pre-drilled holes using screwdriver (not included). See Fig. 1.
2. Connect the Right Leg (3) and Left Leg (4) to the seat frame (1), using hex key (D) to tighten bolts (A) into holes. See Fig. 1.

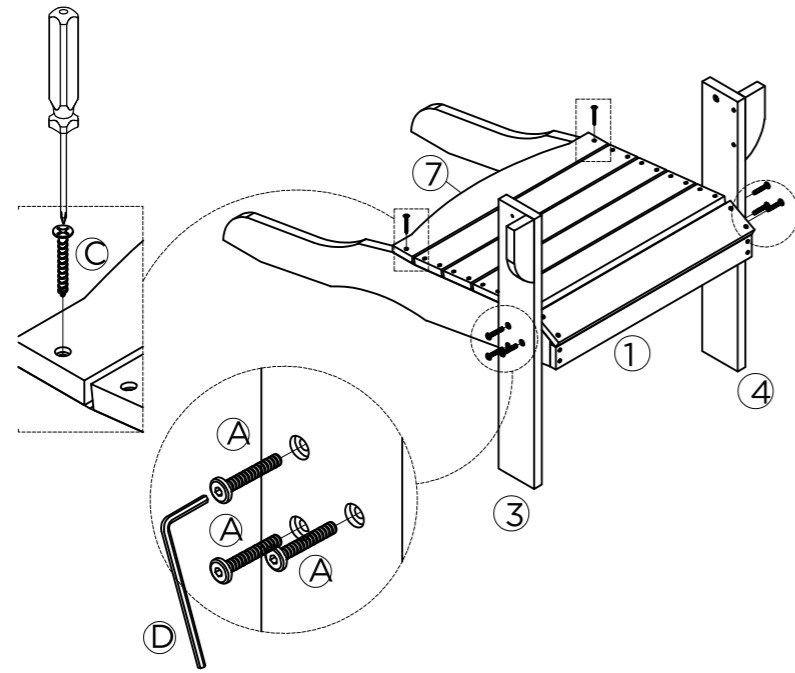


Fig. 1

3. Attach the Right Arm (5) and Left Arm (6) with the Right Leg (3) and Left Leg (4), using hex key (D) to secure bolts (A) into holes. See Fig. 2.

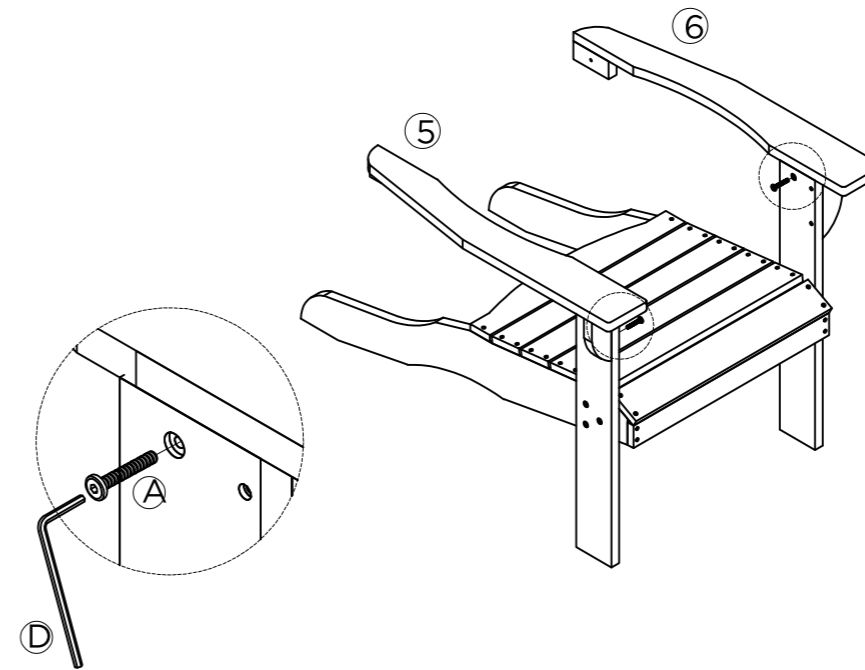


Fig. 2

4. Place the Backrest (2) into position.  
Connect Backrest (2) with Right Arm (5) and Left Arm (6) by bolts (A). Tightening using hex key (D)  
Connect Backrest (2) with Seat Frame (1) by screws (B). Tightening using screwdriver (not included). See Fig. 3.

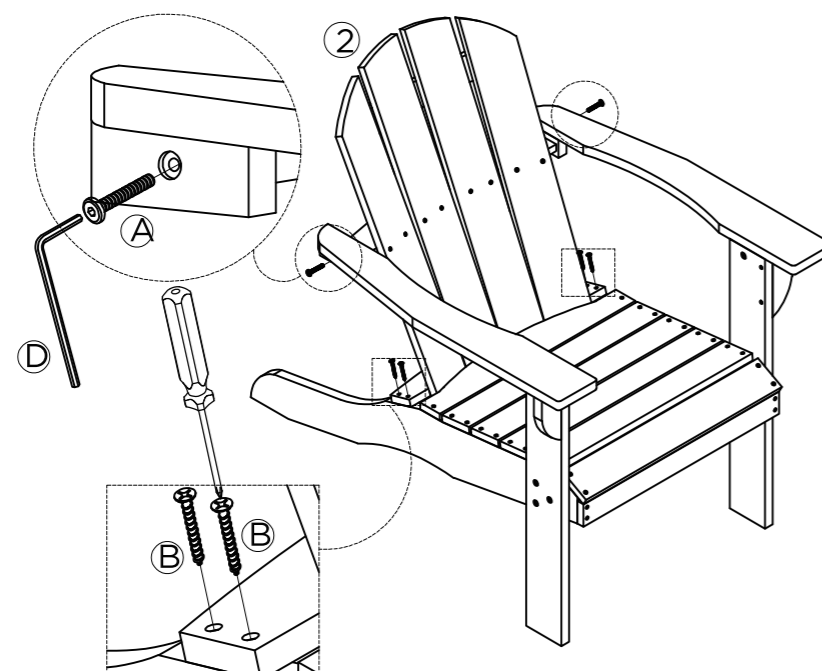


Fig. 3

3

5. Congratulations! You have finished your assembly.

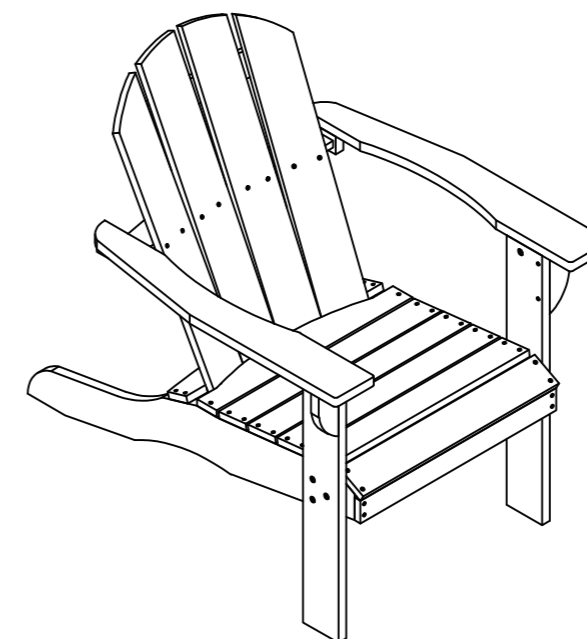


Fig. 4

4