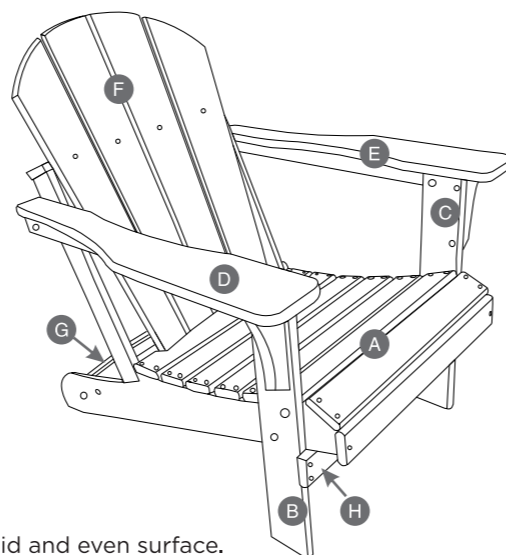


LS LIVINGSCAPE™

USER INSTRUCTIONS

Plastic Adirondack Chair

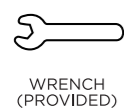
IMPORTANT. RETAIN FOR FUTURE REFERENCE. READ CAREFULLY.



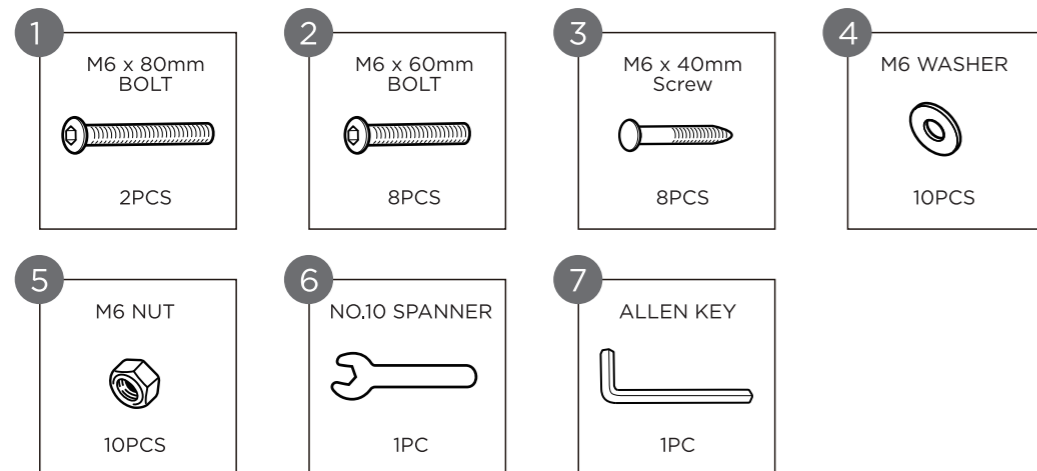
! Notice

1. Do not use electric screwdriver.
2. Two people are required to assemble this item. Assemble the item on a flat, solid and even surface.
3. Make sure that all the necessary parts are in the carton before starting the assembly.
4. Please secure all parts and bolts loosely, only when the frame is complete should you fully tighten the screws.
5. If any instability occurs, loosen the screws, re-align the components as necessary and re-tighten the screws evenly.
6. This item is not a climbing frame or toy.
7. Danger of suffocation. Keep out of reach of children.

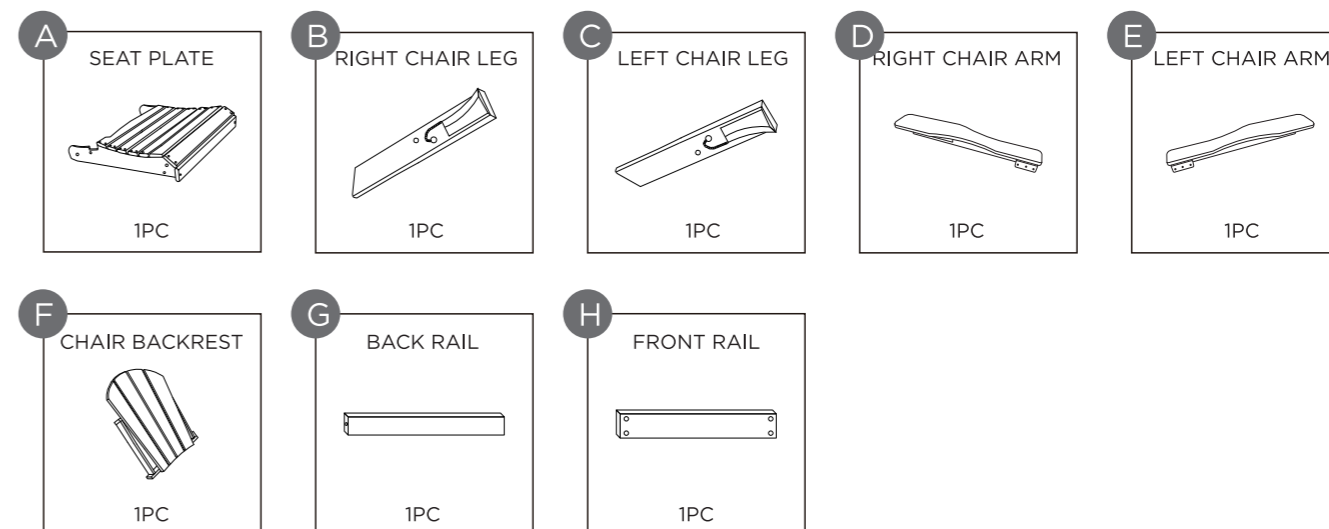
Tools Required



Hardware List

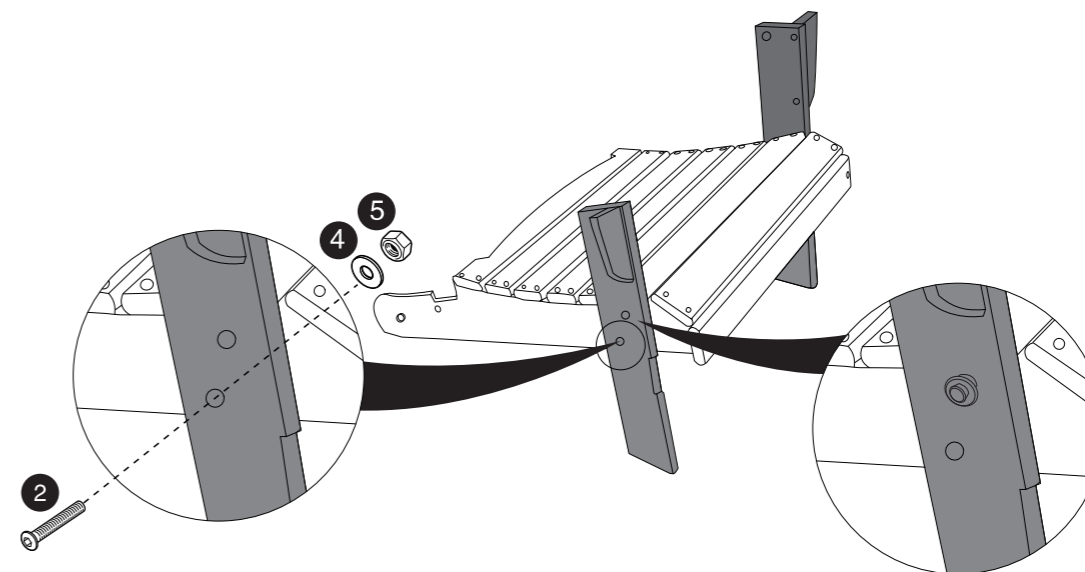


Parts List



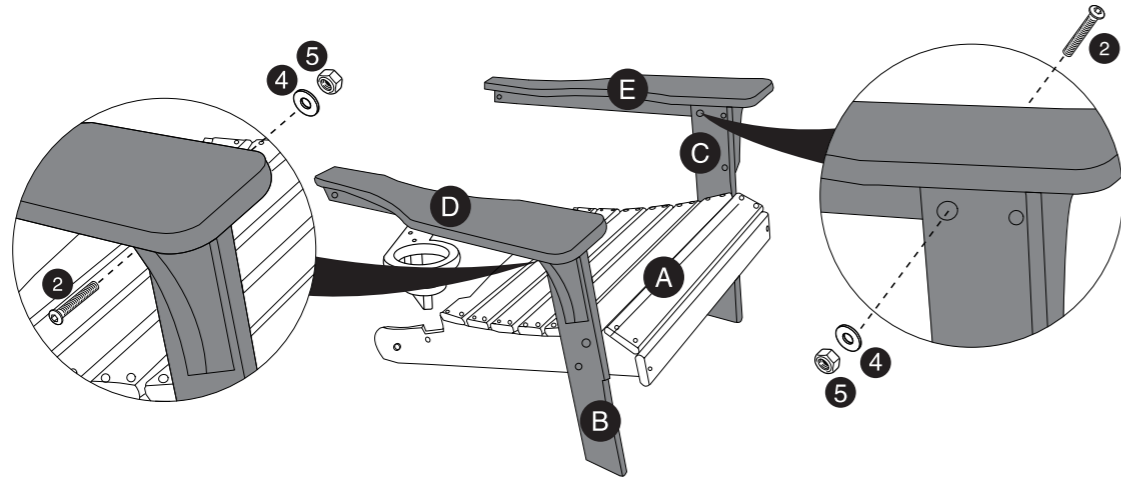
Product Assembly

- 1 First Step: Connect part A (Seat plate) to parts B and C (seat leg), please properly adjust the angle of part A and parts B and C, then insert the pins (parts B and C) to the both sides of the seat legs to the end. Pay attention the pin is to the top hole.
Second Step: Using Hardware ② (M6*60mm Bolt) to the bottom hole of parts B and C (seat leg) and part A (Seat plate). Then use Hardware ④ (Washer) and Hardware ⑤ (M6 Nut) to screw tightly as shown in the picture.



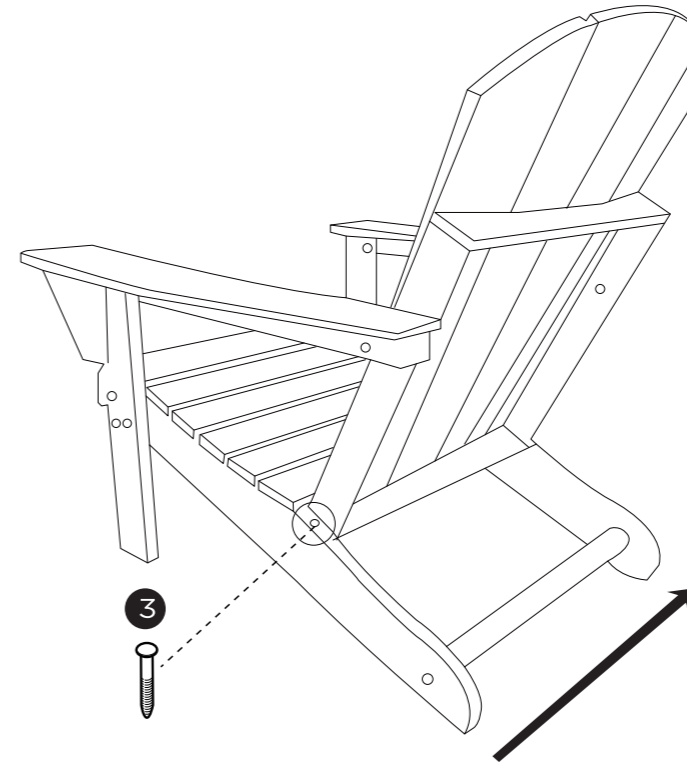
2

Secure part D (right armrest) to the right leg, and attach part E (left armrest) to the left leg, using Hardware ② (M6 x 60mm Bolt), Hardware ④ (Washer) and Hardware ⑤ (M6 Nut).



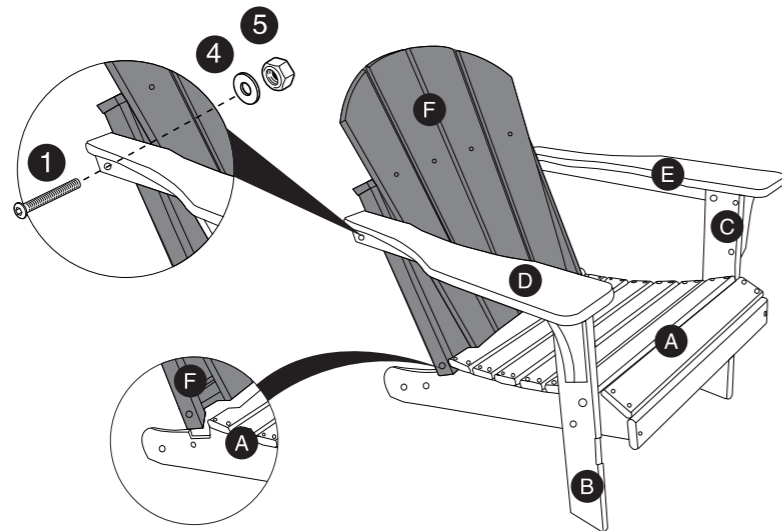
4

Attach part F (back panel) to the part A (Seat plate), using Hardware ③ (M6 x 40mm Screw).



3

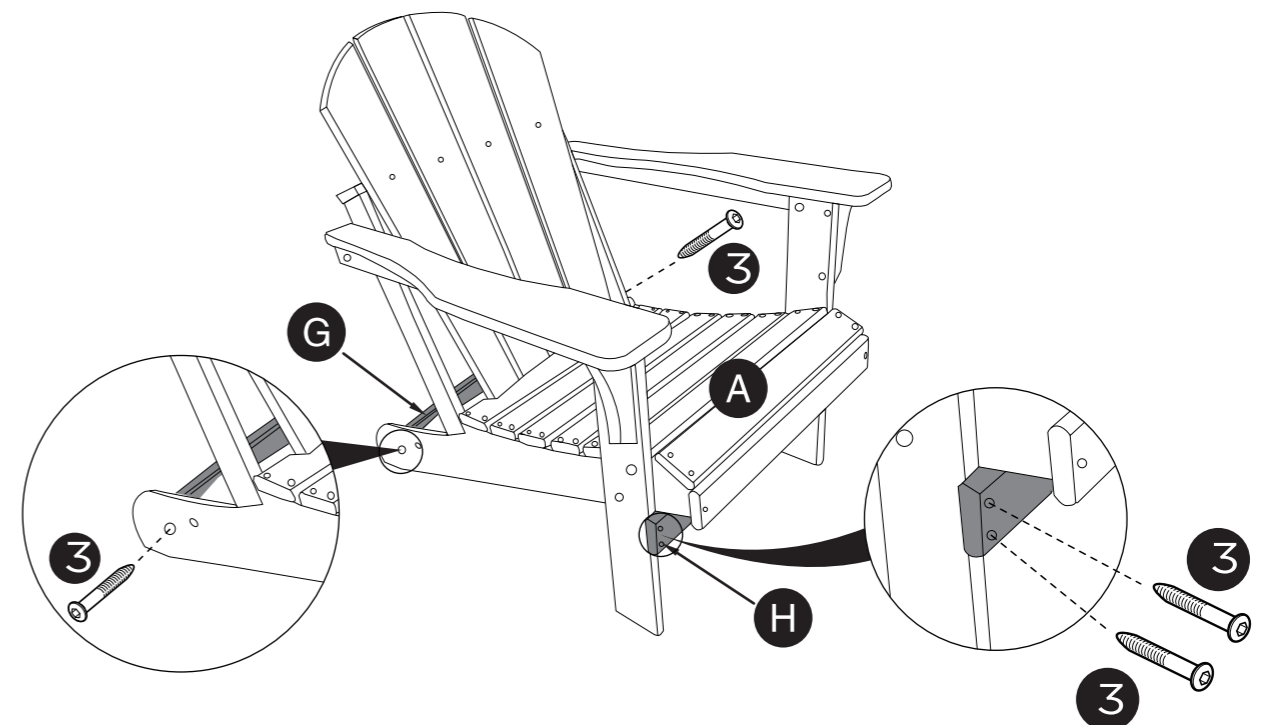
Attach part F (back panel) to the armrests using Hardware ① (M6 x 80mm Bolt), Hardware ④ (Washer) and Hardware ⑤ (M6 Nut).



3

5

Connect part G (back cross-piece) to the seat panel using Hardware ③ (M6 x 40mm Screw). Secure part H (front cross-piece) to B (right leg) & C (left leg) using Hardware ③ (M6 x 40mm Screw). Congratulations! You finished the assembly of this Adirondack Chair.



4