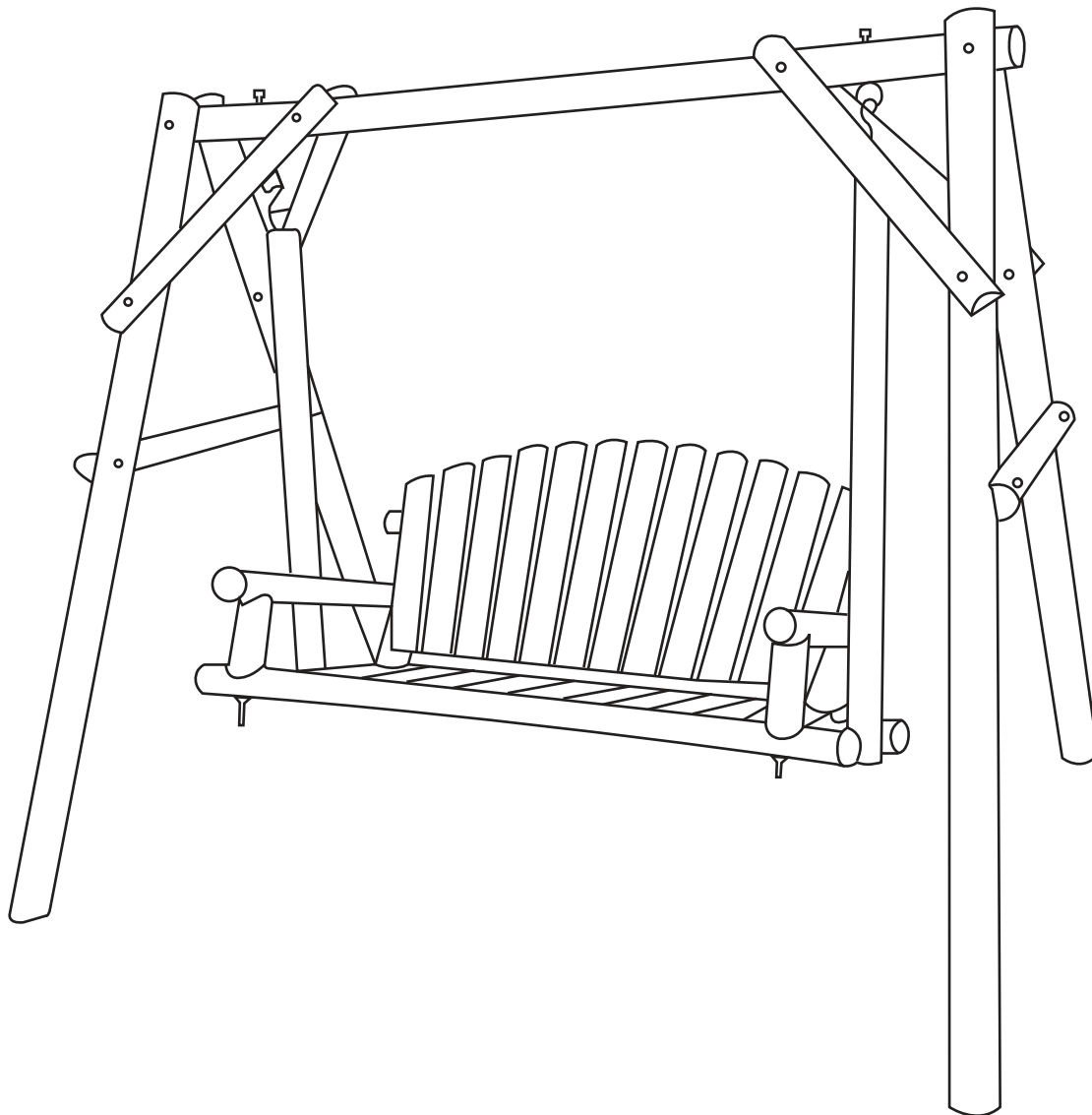


LS LIVINGSCAPE™

USER INSTRUCTIONS

2 Person Swinging Log Bench

IMPORTANT. RETAIN FOR FUTURE REFERENCE. READ CAREFULLY.



Technical Specifications

Intended Use

This bench-like swing seat is a permanently mounted outdoor feature. The user for this swing chair is responsible to stay in control of your swing and should not make difficult maneuvers.

This swing chair is intended primarily for use by adults and children 12 years or older, On-site adult supervision is required at all times for children of all ages.

This Swing chair is not intended to use under inclement weather such as heavy winds or severe weather storms. If the equipment is wet, the user could slip and suffer injuries.

This swing chair is not intended for commercial use or as playground equipment.

Swings will cause serious injuries if improperly used.

ITEM	DESCRIPTION
Capacity	450 lbs weight capacity
Parts	All parts are pre-drilled
Hardware	All hardware is included
Finished Color	Natural (No coating). It's recommended to paint the chair by wood wax oil or PU paints from your choice before bringing to outdoor use.

EASY TO ASSEMBLE:

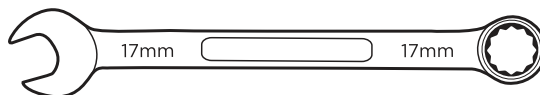
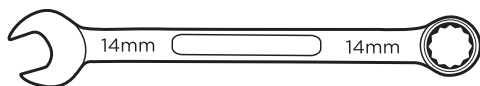
Instructions and Hardware Included.

TOOLS REQUIRED:

Wrench (14mm, 17mm)



NOTE: Tools and protective articles below are not provided.



WARNING

The warnings, cautions, and instructions discussed in this owners manual cannot cover all possible conditions and situations that may occur. It must be understood by the operator that common sense and caution are factors which cannot be built into this product, but must be supplied by the operator.

Pre-Installation

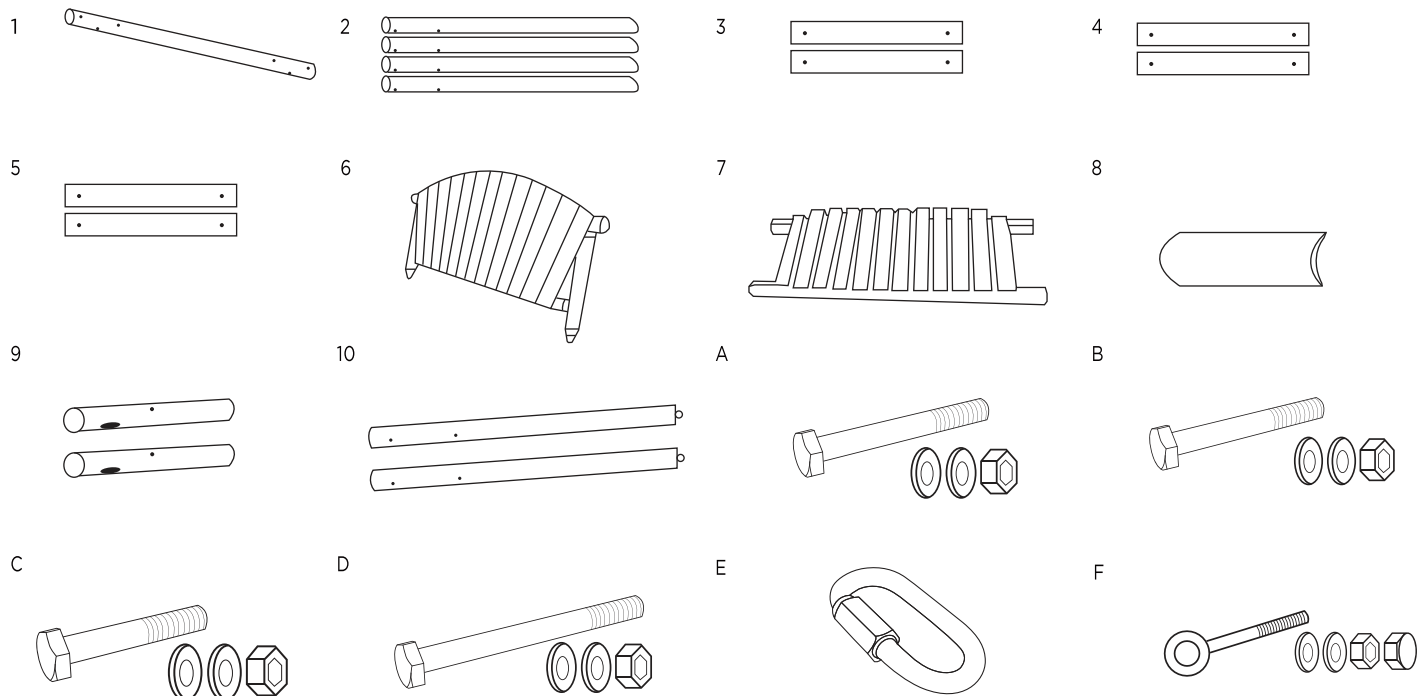
Hardware Included

Carefully remove the contents from the package. If any parts are missing do not attempt to use the product until they have been obtained and correctly installed.

Part #	Description	Quantity
1	Top Post	1
2	Side Posts	4
3	Right Post Supports	2
4	Left Post Supports	2
5	Side Post Braces	2
6	Seat Back	1
7	Seat Bottom	1
8	Seat Arm Supports	2
9	Left and Right Seat Arms	2
10	Left and Right Seat Swing Arms	2
A	170mm Bolts with Washers and Nuts	4
B	130mm Bolts with Washers and Nuts	8
C	110mm Bolts with Washers and Nuts	8
D	280mm Bolts with Washers and Nuts	2
E	Carabiner	4
F	80mm Anchor Bolts with Washers and Nuts	2



NOTE: Hardware shown NOT at actual size.

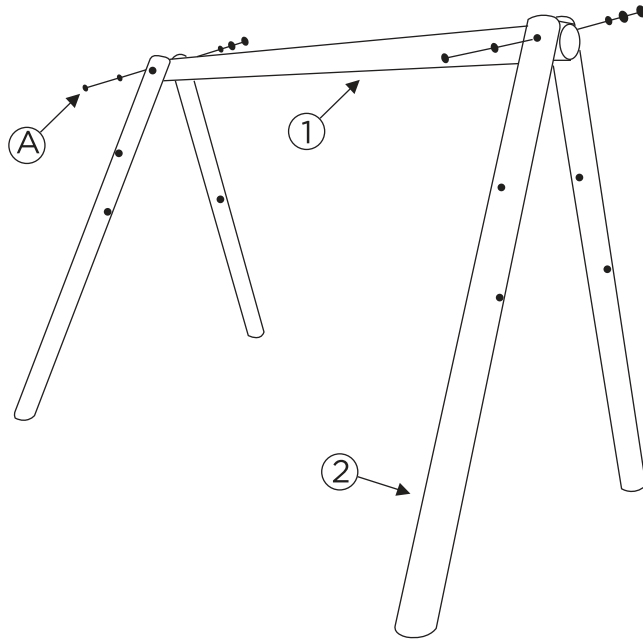


Assembly Instructions

1

Do not fully tighten screws until completely assembled.
Set up the Top Post (1) with the four Side Posts (2), and secure with 170mm Bolts with the Nuts and Washers (A), as shown in the diagram.

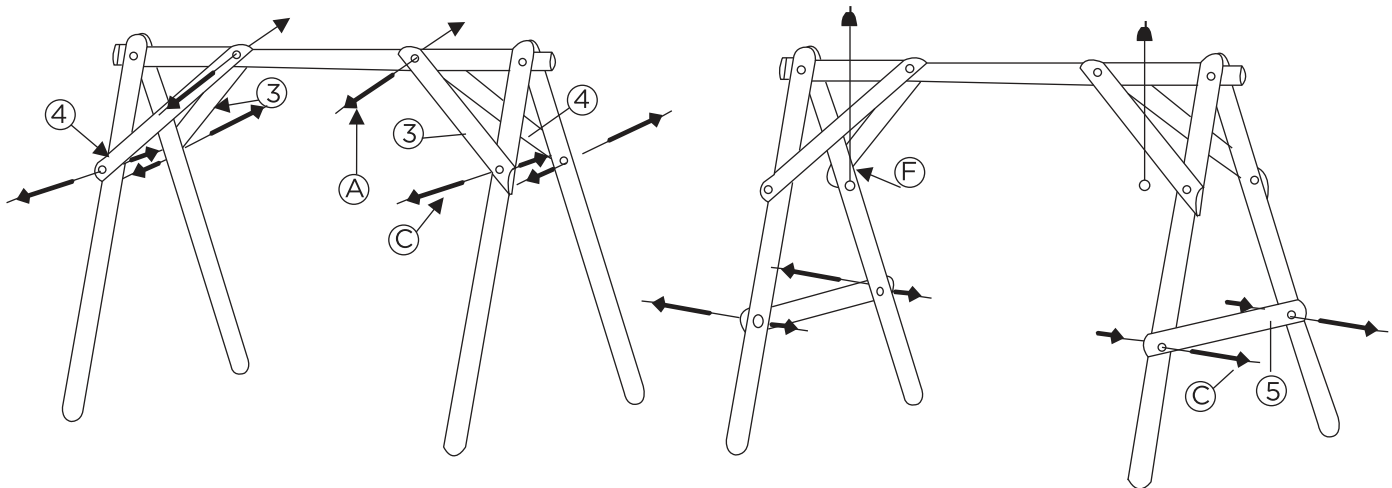
Fig. 1



2

Do not fully tighten screws until completely assembled.
Place the Left and Right Post Supports (3,4) with 170mm and 110mm Bolts with Washers and Nuts (A, C). Ensure you are using the bolts that correspond with the pre-drilled holes before securing.
Secure the Side Post Braces (5) to the assembled structure with 110mm Bolts with Washers and Nuts (C).
Secure the 80mm Anchor Bolts (F) to the bottom side of the Top Post (1).
Refer to the diagram for reference.

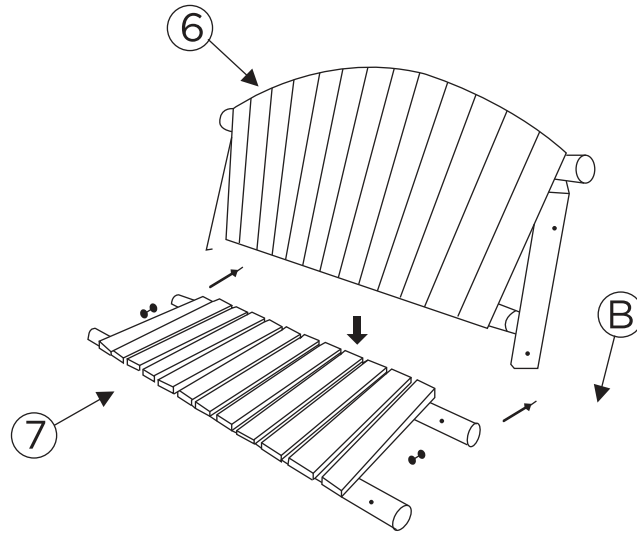
Fig. 2



3

Do not fully tighten screws until completely assembled.
Attach the Seat Back (6) to the Seat Bottom (7) and secure with 130mm Bolts with Washers and Nuts (B). (See diagram)

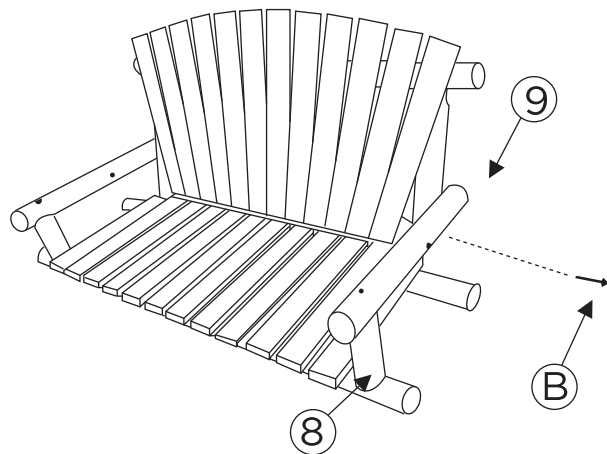
Fig. 3



4

Do not fully tighten screws until completely assembled.
Attach the Seat Arms Supports (8) to the bottom of the Seat Arms (9). Assemble Seat Arms (9) to the seat frame, and secure with 130mm Bolts with Washers and Nuts (B). (See diagram)

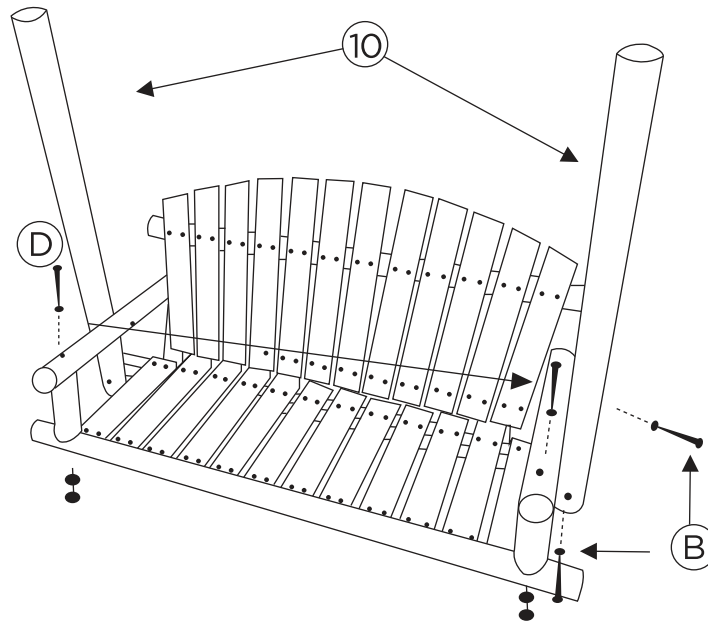
Fig. 4



5

Do not fully tighten screws until completely assembled.
Secure the Arm Supports (8) to the Arms (9), and the seat frame with 280mm Bolts with Washers and Nuts (D). Place the Seat Swing Arms (10) onto the sides of the assembled seat frame, and secure with 130mm Bolts with Washers and Nuts (B) in the corresponding holes. Refer to the picture diagram to avoid confusion when screwing the bolts and screws. Tighten all nuts, bolts, and screws once every part and assembled pieces are in place.

Fig. 5



6

Do not fully tighten screws until completely assembled.
Using the Carabiner (E), attach the seat frame onto the main post structure (See diagram).
Your two person rustic swing is now ready for use.

Fig. 6

